

D  
AN  
IELS

Master of Architecture

Master of Landscape Architecture

Master of Urban Design

Master of Visual Studies

Master of Forestry

Master of Forest Conservation

Master of Science in Forestry

Doctor of Philosophy in Architecture, Landscape, and Design

Doctor of Philosophy in Forestry

New  
Graduate  
Student  
Handbook  
2021-2022

OF  
T  
U

Page 3	Welcome
Page 4	Office of the Registrar and Student Services
Page 6	Getting Started
Page 8	Supporting Your Success at Daniels
Page 11	Student Facilities
Page 15	Life in the Daniels Community
Page 19	Programs and Registration
Page 24	Fees and Financial Support
Page 33	Master of Architecture
Page 39	Master of Landscape Architecture
Page 45	Master of Urban Design
Page 48	Master of Visual Studies
Page 60	Master of Forestry Conservation
Page 64	Collaborative Programs and Research Centres
Page 68	Research Stream Programs
Page 76	Master of Science in Forestry
Page 80	Doctor of Philosophy in Architecture, Landscape, and Design
Page 84	Doctor of Philosophy in Forestry
Page 88	Important Dates 2021-2022
Page 92	Select UofT Services

# Welcome

Welcome and congratulations on your decision to join us at the John H. Daniels Faculty of Architecture, Landscape, and Design (Daniels) at the University of Toronto. We hope that you and your families are healthy and safe. The University is closely monitoring the government of Ontario's plans for safely re-opening our province. We're optimistic about a gradual, safe return to campus and at Daniels, we will be prioritizing activities that benefit the most from in-person experiences, such as studio classes. We are excited to have you join our community and are looking forward to seeing you in person! The University of Toronto is a large, vibrant institution spanning three campuses and includes over 20,000 graduate students. It is a world leader in learning and research innovation with many opportunities and experiences for students.

As part of the Daniels graduate student community, you are entering an academic community engaged directly with professionals in the field, alumni of our programs, and the city of Toronto as a platform for exploring global issues in the context of design as a discipline. Daniels is a place where you will study and collaborate with leaders in the fields of architecture, forestry, landscape, urbanism, and art while accessing state of the art facilities and finding support and engagement with your peers, faculty members, and staff as you immerse yourself in your graduate experience.

The Office of the Registrar and Student Services is involved in and provides support throughout your entire academic experience, from admissions through to graduation. We are your first stop for information on Faculty and School of Graduate Studies (SGS) policies and procedures as you navigate your graduate experience. While it is your ultimate responsibility as a student to be aware of the rules and regulations of the Faculty and SGS, we are available to assist you and provide support and guidance. You will find the official guide to the rules and regulations (including, but not limited to, degree requirements, programs, and courses) for Daniels graduate programs in the School of Graduate Studies Calendar and this handbook.

We hope that you will find this handbook useful. It has been created to assist you in navigating the Faculty and the University as a whole. If you have any questions regarding academic, financial, or personal concerns, we encourage you to reach out to the Office of the Registrar and Student Services so that we can assist you. Have a fabulous year and we look forward to seeing you in September.

Andrea McGee  
Registrar and Assistant Dean, Students  
[registrar@daniels.utoronto.ca](mailto:registrar@daniels.utoronto.ca). 416-978-2572

*Information for Family Members and Partners about Student Privacy: We recognize that there are many instances where family members and partners will play an important role in a student's life by providing advice and encouragement. While the natural inclination may be to get involved to try and solve a problem for the student, as a matter of University policy we cannot discuss any aspect concerning a student with anyone. Please encourage contacting the Office of the Registrar and Student Services directly when questions, concerns, or requests arise. If a student wishes us to share any information, written consent from the student is required. Please visit the University of Toronto's website for families of students at:*

<http://www.studentlife.utoronto.ca/parents-and-family-0>

# Office of the Registrar and Student Services

The Office of the Registrar and Student Services is committed to facilitating the highest level of excellence in graduate education administration. In addition to performing registrarial functions jointly with the School of Graduate Studies (the nuts and bolts of your university registration), this office provides academic, financial, and general advising, and is available to assist students when experiencing any difficulties that might have an impact on academic performance, such as illness, a family emergency, or financial problems. Areas with which the Office of the Registrar and Student Services provide assistance include, but are not limited to:

- Academic and general advising and guidance
- Degree requirements
- Elective course selection
- Fee payment or fee deferral
- Financial counseling/bursary applications
- Withdrawal from courses/the University
- Academic appeals
- Examination/Review timetable
- General information on international opportunities
- Faculty awards and scholarships
- Support your academic success

A student's experience is about more than the academic experience. The University and Daniels Faculty offer an array of leadership, mentorship, and discipline-specific opportunities designed to augment academic experience and encourage in-depth research at Daniels and the University at large.

The Office of the Registrar and Student Services is available to help. Visit the website, stop by the office, or call. Appointments can be made in person or by phone.

Location: 1 Spadina Crescent, Toronto, ON M5S 2J5  
Tel: 416-946-3897  
Email: [registrar@daniels.utoronto.ca](mailto:registrar@daniels.utoronto.ca)  
Web: <https://www.daniels.utoronto.ca/info/current-students/graduate/>

Office Hours: Please visit the Daniels website for operational hours.  
Virtual summer Office Hours (June to August): Monday-Friday, 9:30am – 4:00pm (EST)

## School of Graduate Studies

The University of Toronto is the largest graduate school in Canada with over 20,000 graduate students from all over the world. The wide range of areas of study and interdisciplinary programs ensure that students

can tailor their graduate experience. Sharing responsibility for graduate studies with graduate units and divisions such as the Daniels Faculty, and operating through a system of collegiate governance, consultation, and decanal leadership, SGS defines and administers University-wide regulations for graduate education.

The School of Graduate Studies publishes the official academic calendar. This academic calendar is the official document which outlines degree and program requirements, and the rules and regulations which govern the graduate experience at U of T. To view the current academic sessions SGS Calendar, visit:

<https://sgs.calendar.utoronto.ca/>

Areas with which the School of Graduate Studies provides assistance include, but are not limited to:

- Financial counseling/bursary applications
- Change of name
- Change of legal status in Canada
- Confirmation of enrolment letters
- University-Wide and Government Awards and Scholarships

Location: 63 St. George Street, Toronto, ON M5S2Z9  
Tel: 416-978-6614  
Email: [graduate.information@utoronto.ca](mailto:graduate.information@utoronto.ca) (general inquiries)  
Web: <http://www.sgs.utoronto.ca/>  
Office Hours: Please visit the SGS website for operational hours.  
Virtual Summer Office Hours (June – August)  
Monday – Friday 9:30am – 4:00pm (EST)



# Getting Started

## ACORN

ACORN stands for Accessible Campus Online Resource Network. ACORN is where students enrol in elective courses, check fees and finances and perform other records and registration tasks such as updating their address and contact information and ordering official academic transcripts. The purpose of ACORN is to provide a more convenient, personalized and guided experience for students using U of T's online services. Take the time to review the help topics to better understand ACORN. You can access acorn at: [www.acorn.utoronto.ca](http://www.acorn.utoronto.ca)

## TCard and Official Communication

All students must have an official University of Toronto e-mail address. Very little information is sent by post. If you do not obtain an **@mail.utoronto.ca** e-mail address and check it regularly, you will miss a large amount of important information. You cannot opt out of e-mail communication sent from the Office of the Registrar and Student Services since this is the official communication mechanism for academic matters. The Office of the Registrar and Student Services will not send e-mail communication to an e-mail address other than your @mail.utoronto.ca address once you have obtained your TCard. It is very important for you to update the student online service (ACORN website: [www.acorn.utoronto.ca](http://www.acorn.utoronto.ca)) with your official University of Toronto e-mail address as soon as you receive it. You will obtain your e-mail address when you get your TCard.

Please remember to also update your mailing address and phone number on ACORN. If you move into residence or off-campus housing in September, you should update your contact information at that time. Make sure this information is accurate throughout your time at the University, since you will miss important information if we are not able to contact you.

Your TCard is your official University of Toronto student card. To pick up your TCard, you must bring your offer of admission and proof of citizenship to the TCard office on the first floor of the Koffler Student Service Centre at the intersection of St. George and College Streets.

TCard Office: Koffler Student Service Centre, Room 102, 214 College St.  
Website: <https://tcard.utoronto.ca/>

## FOB Keys

You will be issued a FOB key that will grant you access to all Daniels Faculty buildings. 1 Spadina, North Borden and South Borden, and Earth Sciences. Prior to picking up your FOB key, you will be required to pay a \$100 key deposit, refundable upon request at degree completion. The replacement cost for a lost FOB is \$25; this replacement cost is non-refundable. Information about how and when to pay your deposit and when and where to pick up your FOB will be emailed to students at the start of the academic year.

## Lockers

Students may rent a locker at 1 Spadina for \$25. Lockers are available to registered students September to April.

## Academic Calendar and Timetable

The School of Graduate Studies Calendar (SGS) is the official guide to the rules and regulations pertaining to all graduate programs, including but not limited to, a listing of courses offered, degree requirements, and program details. This handbook provides further details specific to Daniels Faculty graduate programs including expectations, the cohort schedule of courses, and course enrolment information. All newly admitted and current students are strongly encouraged to review the SGS Calendar along with the Academic Timetable.

[2021-2022 Calendar | School of Graduate Studies \(SGS\) Calendar \(utoronto.ca\)](#)

[Current Graduate | Daniels \(utoronto.ca\)](#)

[Graduate Student Resources | Forestry \(utoronto.ca\)](#)

## Daniels Computer Account

All students require a Daniels Computer account to access the computing resources at the Daniels Faculty. Accounts are created automatically by the IT Office. New students will receive an email to their UMail+ inviting them to activate their computer account by the end of August. In order to complete the activation process, students must log in and change their password. More details on activating a Daniels Computer account can be found here: [Accounts Activation](#). Contact [IT.help@daniels.utoronto](mailto:IT.help@daniels.utoronto) or visit their office in DA177 at One Spadina.

### Getting Help

Information Technology Services

Location: 1 Spadina Crescent, Room 177 Toronto, ON M5S 2J5

Email: [IT.help@daniels.utoronto.ca](mailto:IT.help@daniels.utoronto.ca)

Web: [IT Support | Daniels \(utoronto.ca\)](#)

## Software

The University, Faculty, and partners of the University provide a variety of software for students to download and install on their computers. More information can be found on the website:

[IT Support | Daniels \(utoronto.ca\)](#)

# Supporting Your Success at Daniels

## Student Advising

The Daniels Faculty is committed to helping all students reach their highest learning potential and recognizes that not everyone learns the same way and many students may need additional support or direction. Students who find themselves in academic or personal distress, or believe they could use assistance in navigating their graduate career, are encouraged to book an appointment with the Office of the Registrar and Student Services to familiarize themselves with the supports and resources available within Daniels and the University community. To book an appointment, please call the Office of the Registrar and Student Services at [416-946-3897](tel:416-946-3897) or email [registrar@daniels.utoronto.ca](mailto:registrar@daniels.utoronto.ca)

## Daniels Writing Centre

The Writing Centre at the John H. Daniels Faculty of Architecture, Landscape, and Design is a resource for all Daniels students seeking assistance with academic writing and related academic skills. The Writing Centre offers academic support for integrating written, spoken, and visual communication. Our primary service is consultation-based writing instruction (individual and group) that involves a wide range of approaches including:

- Assessing general writing strengths and weaknesses
- Mechanics, usage, grammar, and style
- Pre-writing and brainstorming
- Citing and integrating sources
- Developing a thesis
- Rhetoric and argumentation
- Formal analysis and writing in the disciplines
- Outlines, paragraphs, topic sentences
- Revising and editing skills

The Writing Centre also works closely with the Daniels Faculty to support teaching by researching and producing resources as well as collaborating with instructors to deliver in-class workshops. We offer individual consultations on designing more effective assignments and evaluation methods that help align academic expectations with student learning.

## On Location Counselor

A registered Social Worker and/or Psychologist is available to provide counseling services specifically to Daniels students throughout the term. This is in addition to the support that can be found at the Central Health & Wellness offices. Please review the information on the Daniels website closer to September to find out when our Counselor will be available to see Daniels students.

To book an appointment, please call 416-978-8030 ext.5 and identify yourself as a Daniels student.

## International Advising

If you are a new international student or a recently returned Canadian student, you may wish to meet with an international transition advisor who can assist you in making a smooth and effective transition into the academic and cultural life of the University of Toronto.

Immigration advisors are also available. Detailed information can be found on the CIE website [ADVISING: Immigration - UofT Student Life \(utoronto.ca\)](#)

A representative from the Centre for International Experience (CIE) is available to meet with you from September to April in the Daniels Faculty. Topics that you may wish to discuss include:

- Finding immigration resources
- Cultural challenges, relieving homesickness
- Adjusting to Canadian weather for the first time
- Navigating the Canadian health care system
- Understanding income taxes
- Academic expectations and adjustments
- Searching for leadership, volunteer, or exchange opportunities and more

Additional Information about programs and services are available through the [Centre for International Experience - UofT Student Life \(utoronto.ca\)](#)

## On Location Career Educator

A Career Educator is available to meet with Daniels students to assist with a variety of services and resources including career guidance, summer employment information, further education options or general advice on how to prepare for life after graduation.

A wide variety of workshops and programs are offered at Career Exploration & Education (214 College St.) as well as virtually to support your career and further education decision-making and journey. Further information about these offerings is available on Career and Co-Curricular Learning Networking (CLNx / <https://clnx.utoronto.ca>), via Events and Workshops Calendar (St. George Career Centre), as well as under Programs.

For Career Education services, contact the main Career Exploration & Education front desk at 214 College St. in person or by:  
Email: [careercentre@mail.careers.utoronto.ca](mailto:careercentre@mail.careers.utoronto.ca)  
Phone: (416) 978-8000  
Chat: <http://www.studentlife.utoronto.ca/cc/chat>

## Learning Skills Strategist

Learning Strategists at the Academic Success Centre are available to all graduate students to support the development of their study skills and academic strategies. Whether you are an exceptional student looking to refine your skillset or a struggling student unsure of the next steps to improve your learning process; meeting with a Learning Strategist is a great way to reflect on your experience and develop new strategies in a supporting environment.

Topics include (but are not limited to):

- Learning as a Process
- Motivation & Goal Setting
- Time Management & Procrastination
- Stress Management & Anxiety Reduction
- Study Focus
- Critical Reading & Note-Taking
- Presentations & Public Speaking
- Test, Exam, Review and Critique Preparation

Learning Strategists are available through the Academic Success Centre <http://www.studentlife.utoronto.ca/asc/learning-strategies>



# Student Facilities

## Studio Space

As we plan for a safe return to in person learning and pending current public health requirements if we are able, incoming MArch, MLA, MUD and MVS Studio students will be assigned studio space within shared studio rooms. The studio spaces are assigned by year of study and studio group and require a FOB key to access the studio spaces. Each MArch, MLA, and MUD studio desk comes with a lockable storage cabinet. Students need to provide their own lock. The Daniels Faculty is not responsible for any damaged or stolen property.

Do not prop studio doors open or allow strangers to enter into the studio space when opening the door with a FOB. If you are having issues accessing the studio spaces with your FOB, update your key at one of the hotspot readers throughout the building, or visit the Office of the Registrar and Student Services. Anyone in the studio space or building who should not be there (particularly after hours) or any vandalism or stolen items should be reported to Campus Police by calling 416-978-2222, and to the Office of the Registrar and Student Services in person, by calling 416-946-3897 during operational hours, or emailing [registrar@daniels.utoronto.ca](mailto:registrar@daniels.utoronto.ca) immediately.

## Digital Fabrication Lab

The Digital Fabrication Labs are equipped with a variety of Fabrication systems to aid in the cutting, printing and milling of architectural, design and landscape models

Students require training to access and utilize the digital fabrication labs. Laser Cutters require a one on one training with digital fabrication lab technologist assistants to learn the process for safe operations and procure for the laser lab. Other systems require a file submission, these tools have extensive manuals and video tutorials developed by the Daniels Digital Fabrication Lab. The Digital Fabrication Coordinator and Technologist along with Technologist Assistants are available to consult and assist with CAD/CAM, 3D Print and digital workflow questions.

The Digital Fabrication Laboratory is equipped with facilities for the production and manufacturing of advanced prototypes. The lab includes a variety of computer numerically controlled technologies, including a large 3-axis and 4 axis CNC, 2 Stratasys F120 large format ABS Fused Deposition Modeling 3D Printers, 1 PLA/PETG medium format Fused Deposition Modeling 3D Printer 2 large format and 1 medium 3D Systems binder jet 3D Printers, 5 medium format and 1 large format Universal Laser Cutter, a large format Flow waterjet cutter, Microscribe Digitizer, Next Engine 3D laser scanner. Software for CAM/CAD setup is distributed through the Daniels VPN. 3D Printing software

Location: 1 Spadina Crescent, Room 060 Toronto, ON M5S 2J5  
Tel: 416-946-0493  
Email: [fabrication@daniels.utoronto.ca](mailto:fabrication@daniels.utoronto.ca)  
Web: <https://www.daniels.utoronto.ca/info/current-students/resources/cnc-router>  
<https://www.daniels.utoronto.ca/info/current-students/resources/3d-printers>  
<https://www.daniels.utoronto.ca/info/current-students/resources/laser-cutters>  
<https://www.daniels.utoronto.ca/info/current-students/resources/waterjet-cutter>

## Printing and Plotting

There is a charge for all printing or plotting (large format printing) at the Daniels Faculty. Colour and black & white laser printing can be done directly from a student's own computer, or through a lab computer. Plotting is done through the web with the IT service WebPlot, or done directly by using an OCE printing computer station in the printing area. For print account balances, recent transactions, or any error messages, students may check their Daniels Account.

Information about how to print or plot can be found on the website:  
[Printing & Plotting | Daniels \(utoronto.ca\)](#)

## Eberhard Zeidler Library

With over 35,000 volumes, with a focus on contemporary architecture, landscape architecture, and urban design (20th & 21st centuries) the Eberhard Zeidler Library is part of the extensive U of T library system that serves Daniels students. Further details on the Eberhard Zeidler Library including hours, available services (including loans, reference), tutorials, research guides, etc. are available online.

Relevant related collections are available at Robarts, Thomas Fisher Rare Books, Noranda Earth Sciences, Engineering and Gerstein libraries. In addition, the Department of Art Library comprises over 40,000 exhibition catalogues, dealer catalogues and permanent holdings catalogues from Europe and North America.

Explore the University of Toronto Libraries resources (print and electronic) at <https://onesearch.library.utoronto.ca> – your starting point!

Location: 1 Spadina Crescent, Room 145, Toronto, ON M5S 2J5  
Tel: 416-978-2649  
Email: [library@daniels.utoronto.ca](mailto:library@daniels.utoronto.ca)  
Web: [www.daniels.utoronto.ca/resources/library/eberhard-zeidler-library](http://www.daniels.utoronto.ca/resources/library/eberhard-zeidler-library)

Hours of Operation: Vary throughout the term.

Please check online for the most up-to-date hours:

<https://www.daniels.utoronto.ca/resources/library/hours-contact>

# Labs at Forestry

## Centre for Biocomposites and Biomaterials Processing

CBBP is working on the development of next generation energy efficient lightweight performance nanomaterials for industrial applications including aerospace, automotive, bio-medical and electronics.

## Thomas Research Lab

Research in the Thomas lab addresses how trees and forests respond to human impacts, and how forest management can enhance ecosystem “services” (things people want from forests), ranging from biodiversity to carbon sequestration and climate mitigation. Recent research has taken a turn to the biochar (or charcoal used as soil amendment). Currently exploring many aspects and applications of biochar, including its use for remediation of contaminated substrates such as mine tailings, its use as a soil amendment in N-saturated forest ecosystems, and biochar from the perspective of emulating natural fire disturbance.

## Fire Management Systems Laboratory

The staff and students associated with the Fire Management Systems Laboratory study the impact of fire in Boreal forest ecosystems and use operational research methods and information technology to develop decision support systems for fire and forest managers.

## Wood Composite Lab

Specializes in forest-based biomaterials science and composites, bio-based adhesives and adhesion, digital printing, and surface sciences of paper. Developing novel environmentally-friendly green bio-based composites, producing green chemicals using renewable forestry biomass as feedstock, and engineering the next generation high valued paper based products.

Thermal analysis and characterization where the properties of materials change with temperature or time.

Common instruments to manufacture heat activated resinated wood fiber composite and measure mechanical properties.

Provide industrial and wood pressure treatment process in an effort to simulate various wood treatment processes to improve efficacy. Research focus on treatment efficacy, protection against biological decay, UV resistance and environmental impact of biocides.

## Haliburton Forest

Mobile canopy lift for canopy access and experimentation on the ecophysiology and structure of canopy trees.  
Canopy meteorological tower with meteorological instrumentation and eddy flux systems for energy, CO<sub>2</sub>, and methane flux.

## Sandy Smith Research Lab

research lab supports a significant number of graduate level projects in basic forest ecology addressing insect population and community ecology as well as in applied forest pest management, biological control, and ecosystem restoration.

## Research Lab Group: Wildlife Ecology

Research lab conducts various research topics including effects of forest harvesting on biodiversity in boreal and temperate forest ecosystems, Effects of internal and external forest fragmentation on tropical biodiversity, and Impacts of global warming on biodiversity.

# Life in the Daniels Community

There are hundreds of opportunities at the University of Toronto for students to become involved on campus and within the Daniels Faculty. Becoming engaged in the student life within the Faculty is a valuable and rewarding experience and can help you develop or refine skills and competencies that are highly transferable to the workplace.

Daniels offers many events for students' engagement including student leader social events, public lectures, exhibitions, professional networking opportunities, and the Daniels Fora. These Faculty initiatives present engaging opportunities which bring together different perspectives from students, alumni, and professionals, and the broader public in order to raise the level of debate, build relationships, and stimulate discussion among students, academics, institutions, and the general public. Students are strongly encouraged to participate and attend in the many Faculty events throughout the year.

## Daniels Spaces on Campus

It is a very exciting time at Daniels as the Faculty has relocated to its new home at 1 Spadina Crescent, though Daniels is currently occupying four buildings on campus:

1. Daniels Faculty at 1 Spadina Crescent: The new home of the Daniels Faculty, located on the Western edge of campus in the revitalized heritage building.
2. North and South Borden Buildings at 563 and 487 Spadina Avenue: Undergraduate and graduate Visual Studies student spaces, classrooms, and faculty offices can be found at this location.
3. 33 Willcocks (Forestry, Earth Science building): Spaces for undergraduate and graduate Forestry students, classrooms, and labs can be found here

## Daniels Communications

Throughout the year, the Daniels Communications team will be working hard to keep everyone up to date on faculty, student, and alumni news, notices, and events. In addition to the information students will receive via e-mail in the Daniels Newsletter, all public news and notices will be regularly posted on the Daniels website. Students may contact [communications@daniels.utoronto.ca](mailto:communications@daniels.utoronto.ca) to ask to be removed from the e-mail list. Students cannot, however, opt out of e-mail communication sent from the Office of the Registrar and Student Services since this is the official communication mechanism for academic matters.

Follow [@UofTDaniels](#) on Twitter, visit the Daniels Faculty page on Instagram, like the Daniels Faculty page on Facebook, watch the Daniels Faculty YouTube channel, and follow the Daniels Faculty on Pinterest.

Do you have a newsworthy event that you would like to share?



Perhaps you have recently won a competition, had your work featured in the media, or participated in an exhibition. Send your news to [communications@daniels.utoronto.ca](mailto:communications@daniels.utoronto.ca) so that the Communications team can post it on our website and in our newsletter. Please provide relevant links and a photo to accompany the story.

The Daniels Faculty wishes to showcase the work and accomplishments of its students. To this end, the Daniels Faculty takes photographs of students and of their work during public events, lectures, and reviews. If you do not wish to have your photograph taken, please contact the Communications team at: [communications@daniels.utoronto.ca](mailto:communications@daniels.utoronto.ca)

## GALDSU

The Graduate Architecture, Landscape, and Design Student Union (GALDSU) is a democratically-elected course union representing, individually and collectively, all students in the four graduate programmes at the John H. Daniels Faculty of Architecture, Landscape, and Design: Architecture, Landscape Architecture, Urban Design and Visual Studies. The purpose of GALSDU is to ensure the protection of graduate students' rights and advocate for their needs.

In addition, GALDSU provides diverse athletic, cultural and social opportunities to its members by initiating, sponsoring, co-ordinating, and promoting a wide range of initiatives.

GALDSU website: <https://galdsu.ca/>

## FGSA

All graduate students at the University of Toronto studying in Forestry are members of the Forestry Graduate Students' Association (FGSA).

The FGSA's executive members are committed to ensuring that all forestry graduate students have a positive and enriching academic experience by hosting social and networking events, continuously collecting feedback from graduate students, and creating a platform for students to raise any and all questions and concerns they may have regarding their experience. Visit ( <https://uoftfgsa.wordpress.com/guide-to-campus-trees/> ) for FGSA projects.

## GSU

The Graduate Students' Union at the University of Toronto represents over 15,000 students studying in over 85 departments. For many years this union has advocated for increased student representation, funding, and provided services such as health insurance, confidential advice, and a voice for the graduate student body on the various committees of the University. This section describes how the Union is organized, what we do, and how you can become involved. The best way for your Union to represent you, is to have your voice heard.

GSU website: <https://www.utgsu.ca>

For information about Health and Dental Plans visit <https://www.utgsu.ca/>

## SGS GRADHUB

Created for graduate students by graduate students to help you feel welcomed, connected and prepared to thrive.

Visit this site for essential information you need and resources to assist you with your graduate program journey: [SGS GradHub – School of Graduate Studies \(utoronto.ca\)](#)

## Place-holder

PLACE-HOLDER, partially funded by GALDSU through the Student Initiative Fund, was started in 2012 by students Roya Mottahedeh & Elizabeth Krasner with a desire to explore some of the trajectories that occurred around/beyond/beside architecture, and our own institutional framework. It has allowed us to be voyeurs into the after-hours work of our peers, and to mine the archives of our own alumni and faculty members at the University of Toronto. In ISSUE 00 (published 2013), we looked at what happens IN THE BUILDING, and in this one we leave the building to find out what happens AFTER SCHOOL. ISSUE 1/2 can be read both as “half” – because we are obsessed with capturing the unfinished, and also as a double issue. The first section contains all recent interviews, essays, poetry, and photos, while the second part is largely archival, unpublished work from within the faculty ten years ago. ISSUE 03 dealt with the topic of copying in the digital age and the status of the public domain in our contemporary network culture and was launched in 2016 at the Toronto Art Book Fair. PLACE-HOLDER is always looking for new contributions from faculty, students and others -- anything outside of the polished final drawings we are so accustomed to. Please get in touch at [placeholder.net@gmail.com](mailto:placeholder.net@gmail.com)!

## The Annual

The Annual is a selection of student work from across years and programs at Daniels. Work is collected, curated, and edited entirely by students and recent graduates.

## Café 059

The student-run café is a central hub of the Daniels student community and a place to take a great break to grab a coffee and a snack between classes. Students interested in volunteering at Café 059 should contact [cafe059@galdsu.ca](mailto:cafe059@galdsu.ca)

## ULIFE

Visit the ULife website and find a variety of student clubs, organizations, activities, and opportunities for students. [Ulife - University of Toronto \(utoronto.ca\)](http://utoronto.ca)

## Athletics and Recreation

With seven gymnasias, four pools (including the only Olympic-sized pool in downtown Toronto), a strength and conditioning centre, indoor track, dance studio, cardio machines, tennis and squash courts and steam rooms, the University of Toronto has something for everybody. Registered U of T graduate students paying compulsory athletic incidental fees are automatically members of the Athletic Centre, the Varsity Centre, and Hart House.

**Athletic Centre:** Houses multiple gymnasias, a 50-metre Olympic pool, 25-yard pool and 3-foot-deep teach pool, 10 squash courts (5 American and 5 British style), a dance studio, gymnastics gym, eight-lane 200-metre indoor track, tennis courts, basketball courts, strength and conditioning centre, cardio machines, spinning room, fencing sale, sport medicine clinic and golf cage. [http://www.physical.utoronto.ca/FacilitiesAndMemberships/Athletic\\_Centre.aspx](http://www.physical.utoronto.ca/FacilitiesAndMemberships/Athletic_Centre.aspx)

**Hart House:** Open 365 days a year and located downtown on the University of Toronto campus. Features include an art deco pool, squash courts, multi-level fitness facilities, suspended indoor track, drop-in fitness classes, registered classes and a variety of spaces for everything from basketball to archery. <http://harthouse.ca/>

**Goldring Centre for High Performance Sport:** The Goldring Centre for High Performance Sport is a multi-storey sport and exercise facility housing a 2,000-seat, internationally-rated field house for basketball, volleyball and other court sports, a state-of-the-art strength and conditioning centre, fitness studio, sport medicine clinic and research and teaching laboratories. (<http://physical.utoronto.ca/FacilitiesAndMemberships/goldring-centre-for-high-performance-sport.aspx>)

# Graduate Programs and Registration

The John H. Daniels Faculty of Architecture, Landscape, and Design (Daniels) offers rigorous programs of study for the emerging architect, landscape architect, urban designer, artist, or curator. For over 120 years, graduates of our school have spread across Canada and the world as innovators and leaders in the design and visual studies professions.

Daniels offers five areas of study at the Masters level as well as several Collaborative Programs:

- Master of Architecture
- Master of Landscape Architecture
- Master of Urban Design
- Master of Visual Studies in studio art or Curatorial Studies
- Master of Forest Conservation
- Master of Science in Forestry

Further information about each program is provided in its own designated section below.

Registration and sessional dates are officially set by the School of Graduate Studies (SGS). It is a students' responsibility to be aware of their requirements. The Daniels Faculty sets their sessional dates within the parameters of the official dates posted by SGS.

## Academic Progress

It is a student's responsibility to ensure that they are successfully completing all course requirements for graduation each term; please see the appropriate curriculum listed in this package by program or the School of Graduate Studies Academic Calendar. Students must refer to ACORN for an official record of final grades and transcripts from the University of Toronto. The Registrar is available to assist students when they have questions or are experiencing any academic, personal or financial difficulties. Please contact the Registrar at any time for an appointment through the Office of the Registrar and Student Services by emailing [registrar@daniels.utoronto.ca](mailto:registrar@daniels.utoronto.ca)

To request a transcript upon completion of their program, students may order through their ACORN account. Alternatively, see the Transcript Centre website at: <http://www.transcripts.utoronto.ca/>

## Registration

At the University of Toronto, there is a difference between enrolment and registration. Students enrol in courses. Students register for the academic session by paying tuition and incidental fees, or registering without payment (defer fees). Upon accepting an offer of admission, a registration status is created and a student is considered invited to the

term. This generally occurs in mid-July. Returning students who were previously registered in the last Fall/ Winter or Summer academic session or who have completed an official leave of absence where the expected return session is the current Fall/ Winter academic session, are automatically invited to their next year of study at the same time in mid-July. Once the registration status of 'INVITED' appears on a student's ACORN account, they have been assessed for tuition fees and can pay to register for the term. The deadline to make the minimum payment to register or defer fees for the current academic session can be found on the Graduate Sessional Dates.

Once the minimum payment to register is processed by Student Accounts (approximately 5-10 business days after the payment is made) or a fee deferral is completed, the registration status will automatically be updated to 'registered'\*. Tuition fees can be found in the Financial Accounts section of a student's ACORN account.

\*There are two situations where paying the minimum payment to register by the deadline will not register a student:

1. If a returning student has arrears, the arrears must be paid on top of the minimum payment in order to become registered. Students cannot register with arrears (see details under Tuition Fees).
2. Newly admitted students with a severe condition on admission attached to their offer will not automatically be registered if their severe condition is outstanding at the time the payment is processed.

## Course Enrolment

Daniels Faculty graduate students will automatically be enrolled in all of their core courses with the exception of option studios, research studios, and electives; it is a student's responsibility to ensure they are in the right courses each semester by reviewing their courses on the Student Web Service (ACORN) regularly.

## Electives

The number of electives a student will take will vary based on the program of study and whether a student applies for and receives course exemptions. Each year in mid-August Daniels publishes a list of the offered electives for the upcoming term.

All elective enrolment, with the exception of visual studies electives, independent study courses, and inter-departmental enrolment requests, will be completed online through ACORN account in real-time on a first-come, first-served basis. Student require their JOINid/UTORid and password in order to log in. The start time for enrolment on each designated start date is 6:00am EST (Eastern Standard Time, GMT-4). It is recommended that first-time users log in to ACORN at least one week in advance to ensure they do not experience any difficulties with accessing the student web service.

Student are assigned an enrolment start date based on cohort year of study. Upper year students will be assigned earlier start dates to ensure they are able to meet their degree requirements. Cohort year of

study can be determined by reviewing the curriculum and the diagrams of degree requirements. For example: Students starting their first year at the Daniels Faculty as a Master of Architecture student with advanced standing have a cohort year of MArch year 2.

Students who are not sure of their cohort year of study should contact [registrar@daniels.utoronto.ca](mailto:registrar@daniels.utoronto.ca) well in advance of the enrolment start dates. Enrolment start dates are listed as part of the Graduate Sessional dates annually.

## Selecting Elective Courses

In order to determine which elective courses to take, students review the detailed elective course descriptions as they become available in the Courses section of the Daniels website. Generic descriptions of each elective offered by the Daniels Faculty are provided in this handbook. Students are encouraged to make note of several options as alternatives in case their first choice(s) become(s) full. The online descriptions will include any pre-requisites the course may have.

A step-by-step guide on how to add courses is available on the ACORN help site: <http://help.acorn.utoronto.ca/how-to/>

## Independent Study

Independent Study courses are offered as an opportunity for students who wish to pursue an academically challenging project or topic that is currently not covered in the curriculum. Independent Studies are not required and are not automatically granted. Only those who have a well-developed proposal, high academic standing, and the approval from a potential advisor as well as the program director may pursue an Independent Study. Further details and deadlines are available online: <https://www.daniels.utoronto.ca/info/current-students/graduate/course-enrolment>

## Master of Visual Studies Elective Offerings

For electives in the Master of Visual Studies program, students must complete the add/drop form available on the School of Graduate Studies website ([www.sgs.utoronto.ca](http://www.sgs.utoronto.ca)) and contact Jean-Paul Kelly, MVS Program Director to obtain approval. Approved forms must be signed by both the Director and student and submitted by the student to the Office of the Registrar and Student Services.

## Inter-departmental Elective Offerings

To request enrolment in electives offered by other departments, students must obtain the instructor's signature and the host department coordinator/administrator's signature before submitting the add/drop request form to the Office of the Registrar and Student Services or [registrar@daniels.utoronto.ca](mailto:registrar@daniels.utoronto.ca) for final approval. The form can only be processed if completed correctly. Students must provide the Office of the Registrar and Student Services with contact information for the host department administrator in order to confirm

approval. Please note that other department enrolment dates will differ from that of the Daniels Faculty and it is a students' responsibility to be aware of these dates and contact the departments as appropriate.

## History and Theory Elective Requirement – MArch and MUD only

As part of the degree requirements for the Master of Architecture and Master of Urban Design programs, a certain number of electives must be completed from the History & Theory category. History & Theory category courses from any of the Daniels Faculty programs can be used to satisfy this requirement. Please see the School of Graduate Studies academic calendar to determine which courses will satisfy this requirement.

## Maximum Session Load

Students may take a maximum session load of 5.0 credits across the Fall/Winter academic session\*. This includes pre-loaded core (required) courses. Students therefore cannot enrol in more electives over the academic session than indicated in the diagrams of degree requirements. Students who wish to overload with an additional elective must request an overload by email to [registrar@daniels.utoronto.ca](mailto:registrar@daniels.utoronto.ca) and include a completed School of Graduate Studies Add/Drop Request form. Please note, an approved request to overload does not guarantee placement in the course if the course is full.

*\*Master of Landscape Architecture students are enrolled in 5.5 credits of core courses in their first year of study due to the Field Studies courses. These courses, each weighted 0.25 credits, run outside the regular term and are therefore not considered an overload.*

## Elective Course Waiting Lists

The Waiting List is a feature that lets students “line up” for a course that’s currently full in case a space becomes available in the future. If a student cancels the course and the student listed first on the waitlist will be enrolled automatically. An email will be sent to the student’s U of T email account to notify them of the enrolment.

It is important to understand the following about waiting lists:

- Waitlisted courses count towards a students' overall session load.
- In the Fall/Winter, students can be on the waiting list for up to 1.0 FCE as a full-time student (0.5 credits per semester) and 0.5 credits as a part-time student.
- All Daniels Faculty ARC, LAN, and URD elective courses have waiting lists. VIS electives do not.
- Waiting lists are not available for the entire duration of the enrolment period. Waiting lists will be removed according to the Graduate Sessional Dates.

It is recommended that students prepare as many alternative elective course choices as possible. Students do not have the right to be in a class for which they have not obtained successful enrolment and will not be granted late registration.

## Course Conflicts

Conflicts occur when students enrol in courses that take place at the same time. When considering electives, it is important to make sure no elective courses overlap with each other or with core (required) courses in day and time. ACORN will not prevent students from enrolling in courses that conflict. Students who choose to enrol in conflicting courses must note that no special consideration or accommodation will be made for any problems that occur as a result (e.g. term tests scheduled at the same time, assignment due dates, attendance). It is a students' responsibility to avoid conflicts in their schedule.

## Cancelling/Dropping a Course

Students who decide they no longer want to take an elective course must cancel it on ACORN as soon as possible. This applies to waitlisted as well as enrolled courses. Please do not occupy a space unnecessarily. Only by cancelling the course will the space become available to another student. Students are responsible for any academic penalties incurred by not cancelling a course(s) by the appropriate deadlines. The academic drop deadlines are listed on the website in the Graduate Sessional Dates.

Students cannot drop their core courses on ACORN. Students considering dropping a core course must book an appointment with the Registrar well in advance of the drop deadline to discuss the potential implications of their decision.

## Course Exemptions

When a request is submitted, the Daniels Faculty will assess courses obtained at a post-secondary institution where a degree program has been completed for potential course exemptions. Course exemptions are granted only upon approval of the Instructor and the Program Director and are not guaranteed. Students must have achieved a grade of B or higher to be considered. Course exemptions are not transfer credits and do not reduce the total number of credits required for the degree. Each course exemption granted has a certain number of credits that must be replaced with electives totaling the same number of credits. Course exemptions have no credit weight. The Office of the Registrar and Student Services will process the request and will email the official decision.

The following documentation is required as a single PDF in order for previously obtained credits to be assessed for course exemption:

- One course exemption request form per course request;
- Course description as listed in the university calendar;
- Course outline distributed by the professor in class;
- (If applicable) Copies of assignments (essays, tests, etc.) completed in the course;
- (If applicable) Visual documentation of projects completed in the case of design and representation courses;
- A complete copy of the official academic transcript showing grades of courses taken.

Advanced standing and transfer credits are granted only by the Admissions Committee at the time of admission. For more information on Course Exemptions, please see the Daniels website:  
<https://www.daniels.utoronto.ca/students/current-students/graduate-course-exemptions>

## Fees and Financial Support

### Tuition Fees and Registration Deadline

The deadline by which you must pay at least the minimum required payment or defer your fees depends on whether you plan to register in the Fall-Winter term, Fall term only, or Winter term only.

Students can check their Account Invoice on the Student Web Service/ ACORN, where they will find their account balance, other account details, and a link to the fee payment and service charge billing schedules on the Student Accounts website. The Student Accounts website posts all official fee information. Please familiarize yourself with this information as it is your responsibility to fund your studies and to make yourself aware of payment deadlines.

For more information visit: [Home - Student Accounts - University of Toronto \(utoronto.ca\)](#)



## Minimum Required Payment (MRP) to Register

Students will have the following options for registering:

- 1) Students can pay for the Fall (September-December), and Winter (January-April) sessions separately according to the timelines in the charts below
- 2) They can pay the entire Fall-Winter (Sept-April) in August
- 3) Eligible students who have an OSAP assessment or other government loan assessment greater than \$1 before the end of the registration period are required to defer to register without payment\*
- 4) Students with a graduate funding package or a major award that exceeds the Minimum Payment to Register amount on their ACORN invoice are required to defer to register without payment before the end of the registration period\*

\*Students cannot defer their fees if they have any outstanding fees (arrears) from a previous academic session.

Detailed information, including tuition, refund schedules, and payment and service charge deadlines, is available on the Student Accounts website. General fees information can also be found on the School of Graduate Studies website.

Please read the information below that pertains to your specific situation. For information on how to make a fee payment, please visit the Student Accounts website.

**Students who are not eligible to defer their fees:**

Fall-Winter Registration  
Arrears + 100% of Fall (September to December) tuition fees due by **September 10, 2021**.  
We recommend paying or deferring by **August 27, 2021** to meet this due date.

Winter Registration  
Arrears + 100% of Winter (January to April) tuition fees due by **November 30, 2021**.

**Students who may be eligible to defer their fees on the basis of OSAP or another government loan:**

Students who wish to defer their fees by the registration deadline on the basis of OSAP or another government loan must have an assessment greater than \$1.00.

All arrears must be cleared prior to deferring fees. Students cannot defer their fees if they have any outstanding fees from a previous academic session. Residence payments cannot be deferred (delayed). Your residence occupancy agreement lists the payment due dates. Students who are receiving government funding may request to defer their fees on ACORN

Fall Term Fees  
100% of Fall (September to December) tuition fees due by  
**September 30, 2021**

Winter Term Fees  
100% of Winter (January to April) tuition fees due by  
**January 31, 2021**

Full payment of fall session fees is due by September 30, 2021. Otherwise, monthly service charges at a rate of 1.5% compounded monthly (19.56% per annum) will be applied against the outstanding student account balance beginning October 15th and the subsequent 15th of every month thereafter until the account is paid in full.

Full payment of winter session fees is due by January 31, 2021. Otherwise, monthly service charges at a rate of 1.5% compounded monthly (19.56% per annum) will be applied against the outstanding student account balance beginning February 15th and the subsequent 15th of every month thereafter until the account is paid in full.

#### **Students who may be eligible to defer their fees on the basis of an award or waiver:**

Students who wish to defer their fees on the basis of their graduate funding package OR a major award OR a scholarship OR tuition waiver must submit the proper paperwork to the Office of the Registrar and Student Services.

All arrears must be cleared prior to deferring fees. Students cannot defer their fees if they have any outstanding fees from a previous academic session. Residence payments cannot be deferred (delayed). Your residence occupancy agreement lists the payment due dates. Students who are receiving award funding may request to defer their fees by submitting the School of Graduate Studies Register without Payment (Fee Deferral) form to the Daniels Faculty at 1 Spadina Crescent or by emailing [registrar@daniels.utoronto.ca](mailto:registrar@daniels.utoronto.ca) prior to the deadline to defer fees.

Detailed information, including tuition, refund schedules, and payment and service charge deadlines, is available on the Student Accounts website. General fees information can also be found on the School of Graduate Studies website.

After you receive your funds, you must pay at least the minimum payment to register amount on your invoice.

When planning fee payments, students receiving SGS awards should take into account that January and May award installments are credited directly to outstanding fees. Daniels Faculty awards are always credited directly to outstanding fees.

Full payment of fall and winter session fees is due by **April 30, 2021**. Otherwise, monthly service charges at a rate of 1.5% compounded monthly (19.56% per annum) will be applied against the outstanding student account balance beginning May 15th and the subsequent 15th of every month thereafter until the account is paid in full.

For more information visit: [Home - Student Accounts - University of Toronto \(utoronto.ca\)](#)

For Daniels Financial support and advising, email us at [awards@daniels.utoronto.ca](mailto:awards@daniels.utoronto.ca)

## Financial Support

Students in our Masters programs self-fund their education through a variety of means. Many students utilize government loan programs, scholarships, personal loans, awards, funding packages, and personal/bank loans to finance their studies. It is a student's responsibility to ensure they have a viable financial plan for each year of study. Students are encouraged to maintain a budget and consult this website as well as the SGS website for up-to-date information about awards and financial aid opportunities.

Still have questions or concerns, email the Daniels Financial aid and awards advisor at [awards@daniels.utoronto.ca](mailto:awards@daniels.utoronto.ca)

## Money Management

This all starts with knowing what resources you have and where it is being spent. Make good decisions and take action proactively regarding your financial situation by planning early.

Always check your credit history (Online credit check — Equifax)  
Make a budget and try to stick to it  
Always plan for an emergency-budget in money for repairs, extra costs, and other unexpected expenses (medical/dental)

In over your head? Consider credit counseling. Here are some helpful websites:

<https://creditcounsellingcanada.ca/>  
<https://financialfitness.ca/>



When in doubt, speak with a financial aid advisor available at the School of Graduate Studies.

## Daniels Faculty Awards and Scholarships

Daniels Faculty awards that require applications will have set deadlines each year and will be made available on our website. Once all applications are received, the Daniels Faculty Awards Committee conducts the selection process and shortly after, informs all applicants of the results.

It is the responsibility of each student to be aware of all important dates and to consult the appropriate webpage when applying for awards, funding, and scholarship competitions.

Daniels students are automatically considered for the majority of Daniels in-course awards\* and all Daniels graduating awards. Students are notified of in-course awards in the fall and graduating awards in June. Graduating awards are presented at the Graduation Celebration immediately following Convocation in June.

\*For Daniels in-course awards requiring applications, instructions are communicated directly to students during the academic term.

For more information, visit the financial aid page [Financial Aid | Daniels \(utoronto.ca\)](#). You can also email us at [awards@daniels.utoronto.ca](mailto:awards@daniels.utoronto.ca)

## Graduate Resources



Graduate Government-Funded awards and other awards administered by the Graduate Awards Office at the School of Graduate Studies or by Enrolment Services may require the Daniels Faculty Awards Committee to conduct the initial selection process prior to sending top applications forward to be centrally adjudicated.

To view award competitions to see what's available through the School of Graduate Studies visit: <http://www.sgs.utoronto.ca/currentstudents/Pages/Scholarships-and-Awards.aspx>

To speak with a financial aid counselor, or to learn about programs and services designed to help graduate students at the University of Toronto, please visit the SGS financial aid website. If you have exhausted all other means of support and still find yourself in financial difficulty, the John H. Daniels Faculty of Architecture, Landscape, and Design may be able to provide financial assistance in the form of a grant. For more information, please visit the Financial Aid page.

## MFC Fellowships

The Faculty's M.F.C. admission fellowships for the upcoming academic year were allocated and recipients notified individually early in the admission consideration cycle. Admission fellowship amounts will be directed to the student's fees account if fees are not paid in full at the time of registration.

Please note that your on-admission Fellowships will be paid in one installment by the Graduate Department, after your registration has been confirmed. It will be posted to your ACORN account to pay down your tuition fees. When arranging to pay your tuition fees, please deduct this amount from your payment.

A number of smaller departmental awards for 2021-2022 with specific eligibility criteria will be allocated on a competitive basis later in the year; details on eligibility and the application process and deadlines for these will be posted electronically, when available.

## Daniels Award / Bursary Payment and Policies

Our priority is to provide our students with the best possible financial service in support of their educational goals. It is important to us that all our current and future students know where to begin exploring funding opportunities throughout the University and externally. Award and bursary payments are issued through ACORN and applied against any unpaid fees. Any remaining balance will be issued directly to the student as a cheque or direct deposit.

We strongly urge students to set up direct deposit by logging in to your ACORN account and adding your banking information. Direct deposit will ensure that you receive your payment(s) quickly. As well, cheques may be lost and need to be cancelled and replaced, which will result in a

further delay of your payment.

Please note that you can contact Student Accounts at [info.studentaccount@utoronto.ca](#) at any time to request a refund of a credit balance. To set up direct deposit on your SWS account, follow the steps shown in the demo video, Direct Deposit in SWS.

Awards and bursaries are issued at varying times of the year dependent on the award or bursary. Please consult your letter for your payment schedule.

Students who receive departmental funding or major awards are still responsible for the payment of their fees. The department does not make tuition payments on behalf of the student (i.e., if tuition is due prior to the payment of your award or bursary, you are responsible for the minimum payment to register or appropriate deferral of your fees).

## Financial Aid

Provincially and federally funded government assistance is the main source of financial aid for students. One example is the Ontario Student Assistance Program (OSAP). Students need to apply for government assistance from their province or country (eg. FAFSA in United States).

For more information, visit the Daniels and SGS websites: [Financial Aid | Daniels \(utoronto.ca\)](#) and [Awards & Funding – School of Graduate Studies \(utoronto.ca\)](#)

## Bursaries and Emergency Loans

If you have exhausted all other means of support and still find yourself in financial difficulty, the John H. Daniels Faculty of Architecture, Landscape, and Design can provide financial assistance in the form of a grant. The Faculty grants do not replace OSAP or UTAPS or other provincial or federal loans; the grants help to alleviate temporary financial setbacks.

If you are not eligible for OSAP or other loans, you may still apply for Faculty grants; however, please keep in mind that resources are limited. Grant applications are being accepted now. Please read the information below carefully, and completed forms should be submitted to the Office of the Registrar and Student Services.

A limited amount of emergency assistance is also available on a case-by-case basis through the School of Graduate Studies' bursary and emergency loan programs. For more information, please see the School of Graduate Studies website.

## Employment Opportunities

The Daniels faculty advertises CUPE positions for Teaching Assistants, Chief Presiding Officers, and Invigilators. These positions are posted as needed for Daniels Faculty courses/final examinations in accordance with the respective CUPE local 3902 Collective Agreement. Daniels staff and faculty also post work study positions through the Career Centre

for administrative and research assistant positions. In addition to the jobs offered by the Daniels Faculty, students are encouraged to apply for positions throughout the University.

## Teaching Assistantships

The John H. Daniels Faculty of Architecture, Landscape, and Design offers a variety of Teaching Assistantship positions each session for both graduate and undergraduate courses.

In order to view the Teaching Assistant positions that do not conflict with your core courses, you must select your studio from the drop-down menu for both the Fall term and the Winter term. It is your responsibility to select the correct studio courses. If your studio is not listed on the online application form, please contact Heather Huckfield at [heather.huckfield@daniels.utoronto.ca](mailto:heather.huckfield@daniels.utoronto.ca) to obtain a paper copy.

Students are expected to choose electives that will not conflict with their Teaching Assistantship obligations.

Decisions will be communicated via valid UofT email addresses. Fall Teaching Assistant offers will go out early August. Winter Teaching Assistant offers will go out late September/early October. All jobs are posted in accordance with the CUPE Local 3902, Unit 1 Collective Agreement

## Chief Presiding Officers and Invigilators

The John H. Daniels Faculty of Architecture, Landscape, and Design hires Chief Presiding Officers and Invigilators to preside over final examinations held in the examination period of each academic term as required. Chief Presiding Officers will act on behalf of the Office of the Registrar and Student Services in administering Faculty final examinations in strict accordance with Faculty procedures and regulations. They will be responsible for picking up examination materials; opening and organizing examination rooms; making announcements; distributing examination books and question papers; collecting student signatures; dealing with emergency situations such as ill students, fire alarms, etc.; returning materials to the Office of the Registrar and Student Services; maintaining the confidentiality of examination materials; and carrying out the directives contained in the procedures and regulations governing Faculty final examinations. Occasional attendance at meetings and tribunals is required.

### Qualifications

Positions are available only to students enrolled in the School of Graduate Studies at the University of Toronto. First consideration will be given to graduate students with experience in conducting Faculty final examinations. General qualifications include: ability to carry out procedures under pressure using tact and judgment, ability to effectively direct large groups, and ability to communicate clearly and



## Work-study and Other On-Campus Positions

Working on campus throughout the school year, or over the summer, can be a great way to explore different careers, build skills that you enjoy using, make some extra money and get experience that will impress employers. Please visit the Career Centre website for available on-campus work opportunities. All students should review this information as changes to the work-study program eligibility have been made in the past two years.

## Regulations and Policies

The University has policies and procedures that are approved by the Governing Council which apply to all students. Each student must become familiar with these policies. The Faculty follows the regulations and policies as described in the School of Graduate Studies Calendar including: Student Code of Conduct, Code of Behaviour on Academic Matters, Grading Practices Policy and Policy on Official Correspondence with Students. For more information about students' rights and responsibilities visit [Policies & Guidelines – School of Graduate Studies \(utoronto.ca\)](#)

# Master of Architecture

## Overview

Daniels offers two degree options in the Master of Architecture (MArch): a first professional program and a post-professional option.

The professional Master of Architecture is a rigorous and comprehensive program, preparing graduates for the full range of activities in architecture. It provides a thorough base of knowledge in history, theory, technology, ecology, society, and professional practice, while developing skills in design through an intensive sequence of design studio courses. There are required courses in: Design, Computer Modelling, Visual Communication, History & Theory, Technics & Planning, and Professional Practice. Studios are supported by courses in visual communication and architectural representation, including computer modelling and other new media. The program aims to develop critical, creative, and independent thinking and research that responds to current design issues and societal changes. The greater Toronto region is used as an urban laboratory for the pursuit of new knowledge and new forms of practice.

The Daniels Faculty also offers a Master of Architecture Second-Year Advanced-Standing Option (2 years). The Advanced-Standing Option is offered to applicants who demonstrate advanced capabilities, as determined through review of academic background and design portfolio. Advanced-Standing students join the curriculum outlined below at the beginning of the second year of study.

Both the MArch and the Advanced-Standing Option are intended for those who do not already hold a professional degree in architecture.

Individuals already holding a professional degree are encouraged to consider the post-professional Master of Architecture option or the Master of Urban Design program.

Those wishing to verify the status in Canada of a professional architecture degree earned abroad should contact the Canadian Architectural Certification Board (CACB): [info@cacb.ca](mailto:info@cacb.ca). If the CACB recognizes your degree as equivalent to a Canadian degree, you will not be eligible to apply for our professional MArch program.

# Master of Architecture Degree Requirements

For students enrolled in September 2020 and later. Please note that course offerings may adjust from term to term, and may not exactly re-reflect the chart below

	YEAR 1	YEAR 2**	YEAR 3**
<b>AUGUST INTENSIVE</b>	ARC 1021H Visual Communications (0.5 FCE)	ARC 2042H Site Engineering & Ecology (0.5 FCE)	
<b>FALL SEMESTER</b>	ARC 1011YF Design Studio 1 (1.0 FCE)	ARC 2013YF Design Studio 3 (1.0 FCE)	ARC 3020YF Design Studio Research 1 (1.0 FCE)
	ARC 1022HF Design Technology 1 (0.5 FCE)	ARC 2023HF Design Technology 2 (0.5 FCE)	ARC 3051HF Professional Practice 1 (0.5 FCE)
	ARC 1031HF Historical Pers. On Topics In Arch.1 (0.5 FCE)	ARC 2047HF Building Science 3 (0.5 FCE)	ELECTIVE* (0.5 FCE)
	ARC 1041HF Building Science 1 (0.5 FCE)	ARC 2017HF Research Methods (0.5 FCE)	
<b>WINTER SEMESTER</b>	ARC 1012YS Design Studio 2 (1.0 FCE)	ARC 2014YS Design Studio 4 (1.0 FCE)	ARC 3021YS Design Studio Research 2 (1.0 FCE)
	ARC 1046HS Structures 1 (0.5 FCE)	ARC 2046HS Structures 2 (0.5 FCE)	ARC 3052HS Professional Practice 2 (0.5 FCE)
	ARC 1032HS Historical Pers. On Topics In Arch.2 (0.5 FCE)	ARC 2048HS Building Science 4 (0.5 FCE)	ELECTIVE* (0.5 FCE)
	ARC 1043HS Building Science 2 (0.5 FCE)	ELECTIVE* (0.5 FCE)	
	5.5 FCE	5.5 FCE	4.0 FCE
			2.0 Year Program** = 10.5 FCE
			15.0 FCE

## Specific Program Requirements:

### Design

ARC 1011YF	Architectural Design Studio 1
ARC 1012YS	Architectural Design Studio 2
ARC 2013YF	Architectural Design Studio 3
ARC 2014YS	Architectural Design Studio 4
ARC 3020YF	Architecture Design Studio Research 1
ARC 3021YS	Architecture Design Studio Research 2

### Computer Modelling

ARC1022HF	Design Technology 1
ARC 2023HF	Design Technology 2

### Visual Communication

ARC 1021HF	Visual Communications
------------	-----------------------

### History and Theory

ARC 1031HF	Historical Perspectives On Topics In Architecture 1
ARC 1032HS	Historical Perspectives On Topics In Architecture 2
ARC 2017HF	Research Methods

### Technics & Planning

ARC 1041HF	Building Science 1
ARC 1043HS	Building Science 2
ARC 1046HS	Structures 1
ARC 2042HF	Site Engineering & Ecology
ARC 2045HS	Building Science 4
ARC 2046HS	Structures 2
ARC 2047HF	Building Science 3

### Proseminar

ARC 3051HF	Professional Practice 1
ARC 3052HS	Professional Practice 2

### Electives

+ 2.5 credits Elective Courses\*

### Notes

\* 0.5 credits of elective courses must be in the History and Theory Stream.

\*\* 2.0 year program: Second year advanced standing option.

Your official listing of program requirements can be found in the SGS calendar here: [School of Graduate Studies \(SGS\) Calendar \(utoronto.ca\)](https://www.utoronto.ca/school-of-graduate-studies/calendar)

# MArch Program Requirements

## **Design, Visual Communication, and Computer Modelling (5.0 credits)**

The required design studio curriculum is organized as a series of semester-core units in a five-stage sequence.

[1] Two foundational studios in the first year of the program, complemented by two courses in visual communication.

[2] An exploration of the relationship between architecture and the complex conditions of metropolitan culture in the third studio, held during fall term of the second year. A concurrent course provides a comprehensive overview of 2D and 4D computer modelling for architectural design.

[3] A foundation in project work in the fourth studio, held during the winter term of the second year. This includes a comprehensive building project that addresses the design of a complex building

[4] One option studio, offering a choice of subject, scale, method, and studio instructor, along with one thesis and research preparation course.

[5] The design thesis studio will be undertaken in the final term. Students in the design thesis studio work independently under the supervision of an assigned faculty advisor.

## **History and Theory (1.5 credits)**

A three-semester sequence of required courses, the final of which will introduce students to research methodologies in advance of thesis work.

## **Technics and Planning (3.5 credits)**

The required technical curriculum includes an introduction to the technical conditions and ecological contexts of architectural production in the first term, followed by two courses in building science, a course on site engineering and ecology, and a course on environmental systems.

## **Professional Practice (1.0 credit)**

There is one course in architectural practice, management and economics, offered in the final term.

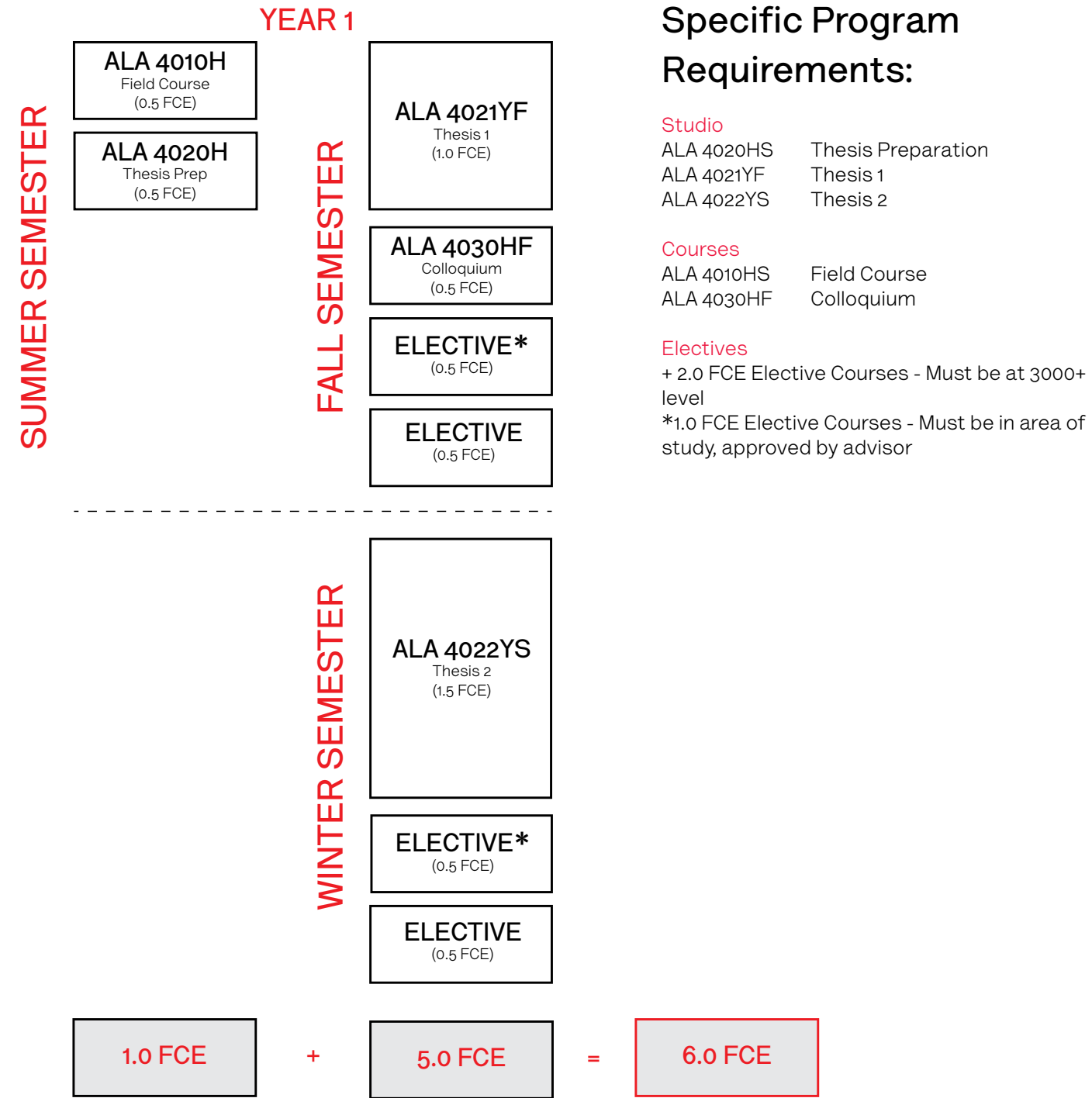
## **Electives (2.0 credits)**

The elective component of the program provides an essential academic and cultural complement to the core professional curriculum. Within the elective requirements, 0.5 credit must be in the History and Theory stream. Students are encouraged to use their electives to develop a focused concentration that will inform their design thesis, entail linkage with other disciplines, and lead to professional expertise and postgraduate studies.



# Post-Professional Master of Architecture Degree Requirements

For students enrolled in September 2019 and later



## Specific Program Requirements:

- Studio**
- ALA 4020HS Thesis Preparation
  - ALA 4021YF Thesis 1
  - ALA 4022YS Thesis 2
- Courses**
- ALA 4010HS Field Course
  - ALA 4030HF Colloquium
- Electives**
- + 2.0 FCE Elective Courses - Must be at 3000+ level
  - \*1.0 FCE Elective Courses - Must be in area of study, approved by advisor

# Master of Landscape Architecture

## Overview

Daniels offers two degree options in the Master of Landscape Architecture (MLA): a first professional program and a post-professional option.

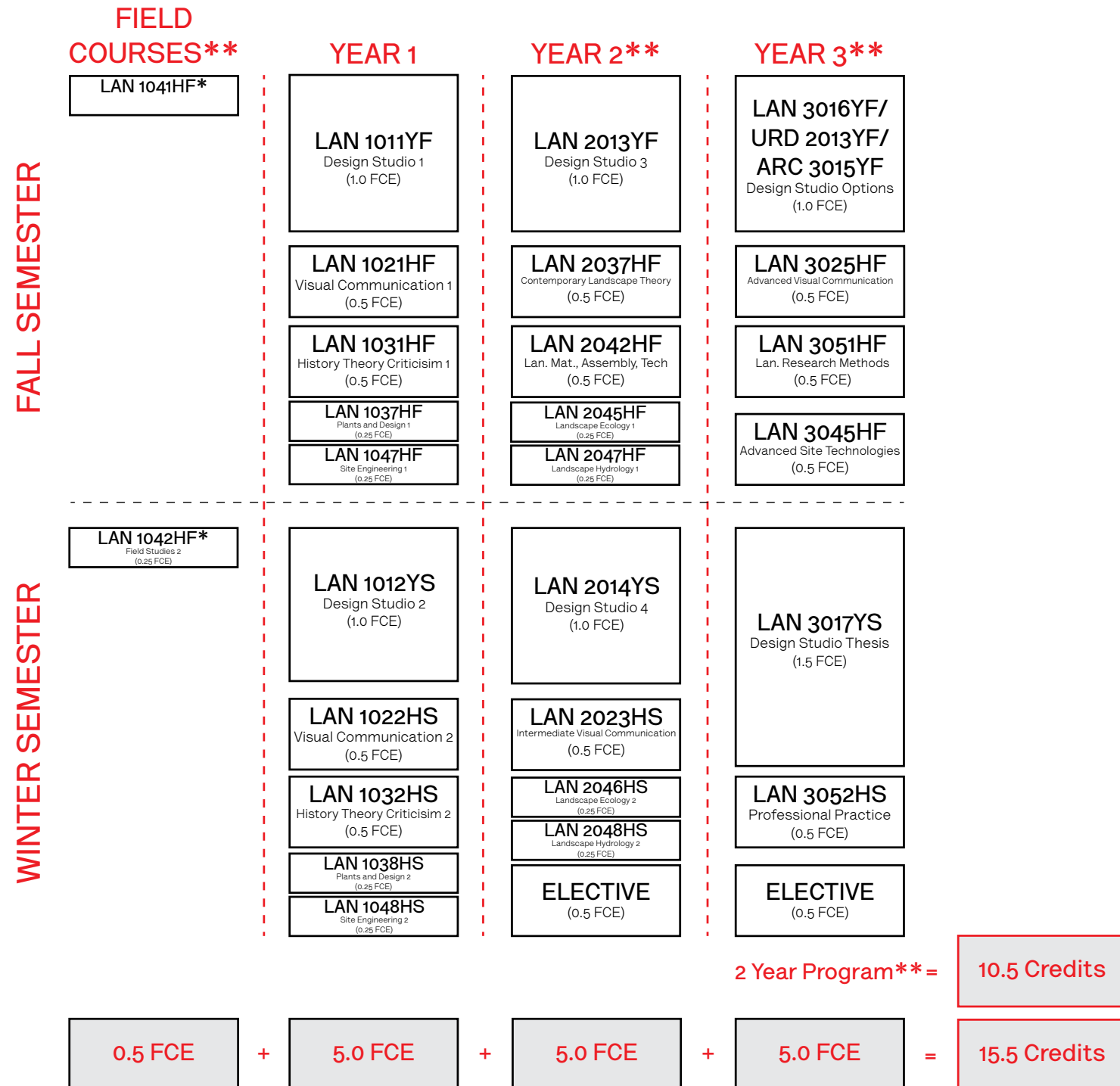
The professional Master of Landscape Architecture degree, for students new to the discipline, uses intensive studio-based courses to address the design challenges facing urban landscapes today. Complementary lecture and seminar courses in history, theory, technology, and environmental studies provide comprehensive professional training and serve as a forum to examine landscape architecture's synthetic role in design and planning at scales ranging from the garden to the region. After a four-term core curriculum, students develop independent research directions that culminate in the final term's thesis studio. The program's goal is to develop progressive models for landscape architecture practice: we encourage work that explores and extends the discipline's ties to the humanities, environmental and social sciences, and engineering.

Individuals already holding a professional degree are encouraged to consider the post-professional Master of Landscape Architecture option or the Master of Urban Design program. Applicants holding an undergraduate or graduate degree in architecture, architectural design, architectural engineering, environmental design, or equivalent will be considered for the second year advanced standing option in the MLA. This decision is made on a case by case basis by the admissions committee based upon a review of the design portfolio in light of the candidate's academic and professional experience.

Both the MLA and the Advanced-Standing Option are intended for those who do not already hold a professional degree in landscape architecture.

# Master of Landscape Architecture Degree Requirements

For students enrolled in September 2021 and later.



## Specific Program Requirements:

### Design

LAN 1011YF	Design Studio 1
LAN 1012YS	Design Studio 2
LAN 2013YF	Design Studio 3
LAN 2014YS	Design Studio 4
LAN 3016YF/ URD 2013YF/ ARC 3015YF	Design Studio Options
LAN 3017YS	Design Studio Thesis

### Visual Communication

LAN 1021HF	Visual Communication 1
LAN 1022HS	Visual Communication 2
LAN 2023HS	Intermediate Visual Communication
LAN 3025HS	Advanced Visual Communication

### History and Theory

LAN 1031HF	History Theory Criticism 1
LAN 1032HS	History Theory Criticism 2
LAN 1037HF	Plants and Design 1
LAN 1038HS	Plants and Design 2
LAN 2037HF	Contemporary Landscape Theory

### Technology

LAN 1047HF	Site Engineering 1
LAN 1048HS	Site Engineering 2
LAN 2042HF	Landscape Materials, Assemblies, Technology
LAN 3045HF	Advanced Site Technologies

### Environment

LAN 1041HF	Field Studies 1
LAN 1043HS	Field Studies 2
LAN 2045HF	Landscape Ecology 1
LAN 2046HS	Landscape Ecology 2
LAN 2047HF	Landscape Hydrology 1
LAN 2048HF	Landscape Hydrology 2

### Proseminar

LAN 3051HS	Landscape Research Methods
LAN 3052HS	Professional Practice

### Electives

+ 1.0 credits Elective Courses

### Notes

\*One week intensive field course worth 0.25 credits. Field studies 1 is typically held prior to Labour Day weekend and Field Studies 2 is typically held at the end of April.  
\*\* Two year program: Second year advanced standing option. All students are required to take both field studies courses.

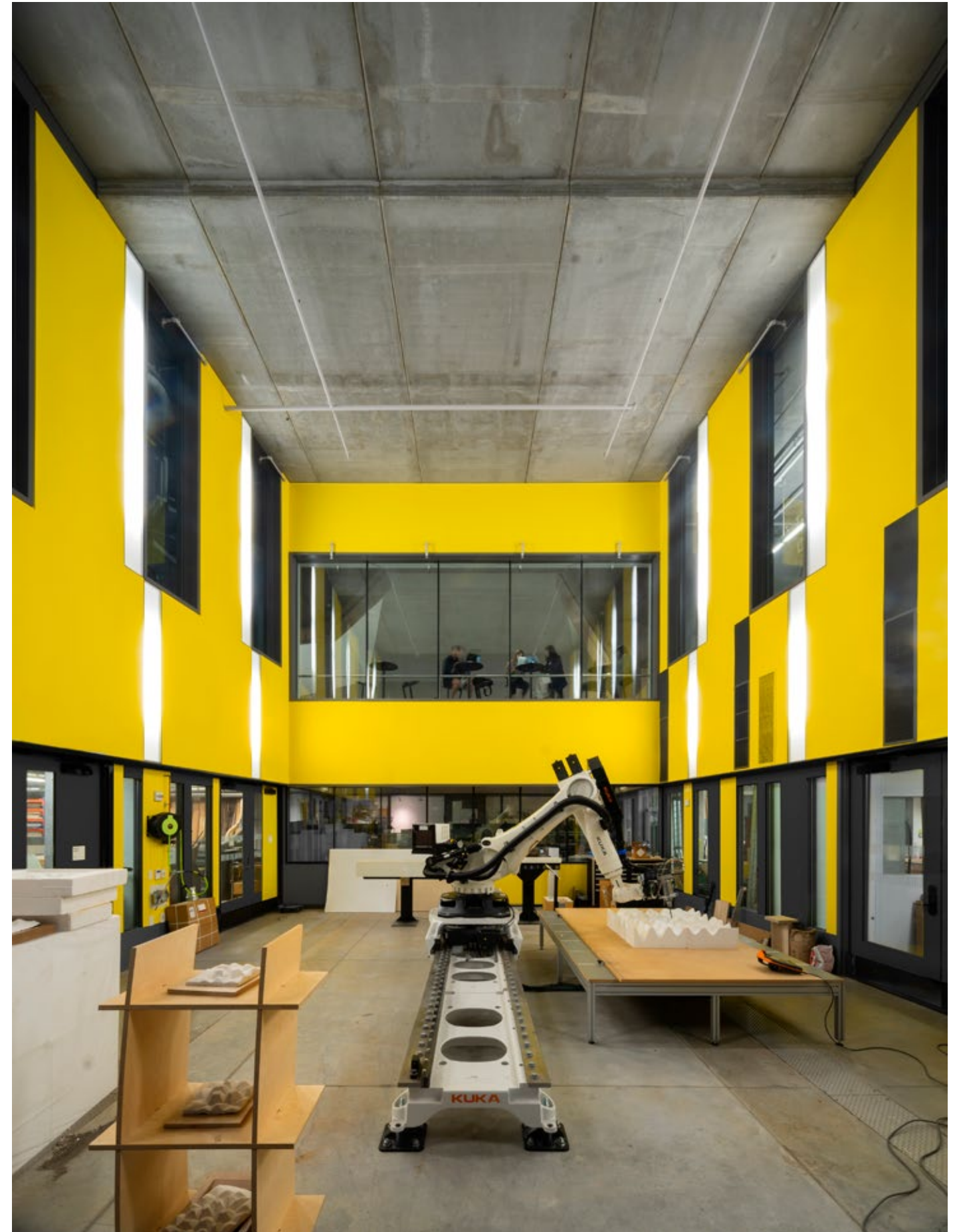
Your official listing of program requirements can be found in the SGS calendar here: [School of Graduate Studies \(SGS\) Calendar \(utoronto.ca\)](https://www.utoronto.ca/school-of-graduate-studies/school-of-graduate-studies-sgs-calendar)

## Accreditation

The Master of Landscape Architecture program was reviewed in 2018 and granted a five-year term of accreditation. Following graduation from an accredited school, applicants for professional registration in Ontario are required to successfully complete a two-year professional development program under the direction of the Ontario Association of Landscape Architects and pass the Landscape Architect Registration Exam (LARE). The LARE is an internationally recognized examination governing professional practice in Canada and the United States. Registration in Ontario is governed by the Ontario Association of Landscape Architects Act, 1984.

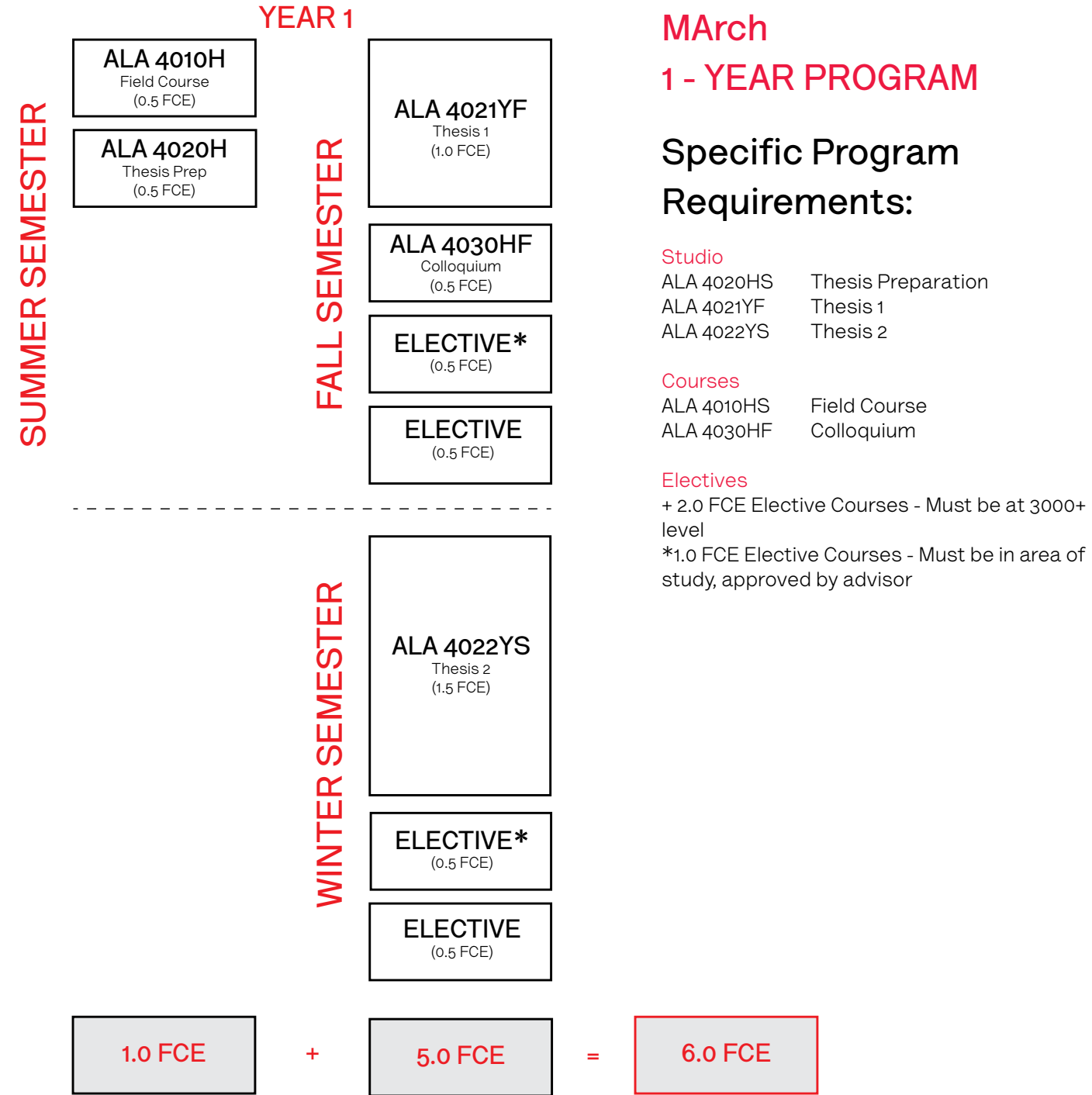
## Post-professional MLA Requirements

The prerequisite for entry into the post-professional MLA is possession of an accredited professional degree in landscape architecture with a final year average of at least mid-B from the University of Toronto or its equivalent from a recognized university. The course of study includes 6.0 credits over two semesters, including a late summer intensive. The post-professional MLA does not grant a professional degree; rather, a professional degree is a prerequisite for admission.



# Post-Professional Master of Landscape Architecture Degree Requirements

For students enrolled in September 2019 and later



Your official listing of program requirements can be found in the SGS calendar here: [School of Graduate Studies \(SGS\) Calendar \(utoronto.ca\)](#)

# Master of Urban Design

## Overview

The Master of Urban Design (MUD) program prepares architects and landscape architects for design-based research and professional practice at the urban and regional scales.

The MUD curriculum capitalizes on the wealth of resources at the University of Toronto to establish interdisciplinary and inter-professional collaboration, initiating forms of research and practice that are suited to the breadth of urban design. The program also draws on the largest pool of expertise and talent in Canada by involving leading figures of the Toronto urban design community in teaching, external reviews, and special events.

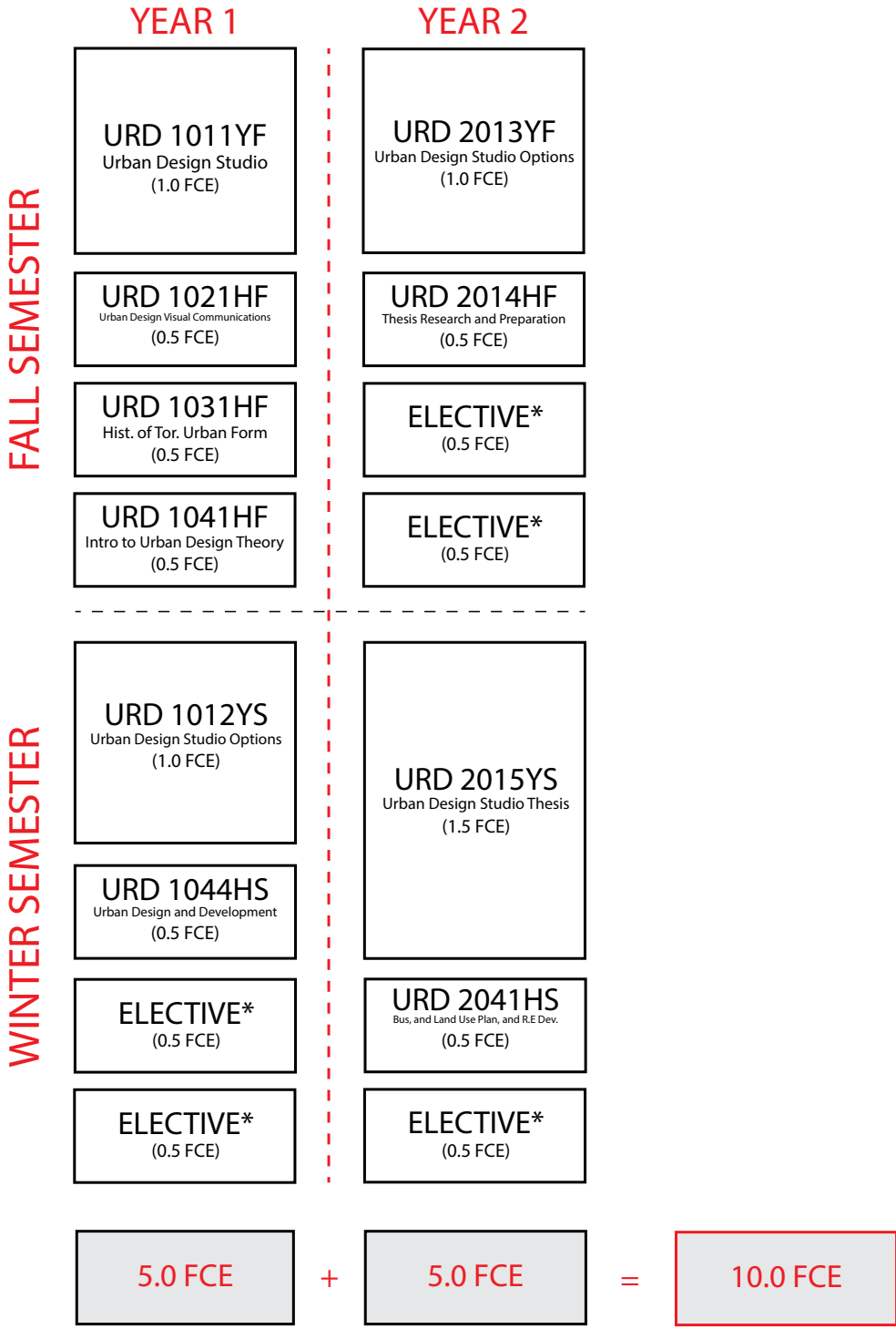
The MUD program is committed to design as a primary medium of operation and research, in a broad intellectual framework that includes geography, environmental studies, social sciences, media studies, economics, and engineering. It aims for responsible and creative design in the context of the post-metropolis, with attention to new paradigms of urbanization, global economic restructuring, and information technology. The program emphasizes a coherent intellectual approach that is committed to analysis and critique and seeks to become the central Canadian forum for advanced research, design innovation, scholarship, criticism, and debate in urban design.

The Master of Urban Design is a two-year post-professional program open to those with a professional degree in architecture (BArch, MArch) or landscape architecture (BLA, MLA) — and to others such as those with degrees in Urban Planning who have demonstrated design ability and experience — with a final year average of at least mid-B from the University of Toronto or its equivalent from a recognized university.

## MUD Program Requirements

Students are required to take a total of 10 credits which are normally expected to be completed in two years. Of the total credits required, 7.0 credits are in core courses and 3.0 credits are in electives, 2.0 credits of which must be from the History, Theory, and Criticism category. Generally, courses will be delivered in the Fall and Winter terms.

# Master of Urban Design Degree Requirements



## Specific Program Requirements:

- Design**
- URD 1011YF Urban Design Studio
  - URD 1012YS Urban Design Studio Options
  - URD 2013YS Urban Design Studio Options
  - URD 2015YS Urban Design Studio Thesis

- History, Theory and Criticism**
- URD 1031HF The History of Toronto Urban Form
  - URD 1041HF Introduction to Urban Design Theory

- Other**
- URD 1021HF Urban Design Visual Communications
  - URD 1044HS Urban Design and Development
  - URD 2014HF Thesis Research and Preparation
  - URD 2041HS Business and Land Use Planning and Real Estate Development

**Electives**  
+ 2.5 credits Elective Courses\*

**Notes**  
\*2.0 credits of elective courses must be selected from offerings in the History, Theory, Criticism category.



# Master of Visual Studies

## Overview

The MVS is a 2 year, full-time professional program featuring study in two distinct but related fields – Studio Art and Curatorial Studies. MVS Studio and Curatorial Studies students share core seminars in the theory and history of contemporary visual art in both years of study, but otherwise pursue their separate fields through focused studio/practicum sessions under the supervision of MVS studio and curatorial studies faculty respectively. In the curatorial studies field, students also work with professional curators and critics, as well as faculty from disciplines related to their course of study (see below). Students in both fields take a number of electives in other graduate units of the University and complete an internship placement aimed to further the participant’s research and forge connections to outside institutions.

The MVS students will be a group of artists and curators whose work will advance knowledge within visual culture and strengthen the connections between the visual arts and other fields of study at the University and beyond. The MVS offers participants a unique opportunity to rigorously investigate the interdisciplinary components inherent in contemporary art and curatorial practice, as well as in critical writing, art theory, art history and related areas requiring a high degree of visual literacy.

The MVS produces graduates well equipped to meet the numerous overlapping skills currently demanded within professional studio art or curatorial practice, as well as critical writing, and theoretical discourse.

This program is especially suited to the city of Toronto, which offers a rich and varied cultural environment along with the potential for specific links with the Art Gallery of Ontario, the Power Plant, MOCCA (Museum of Contemporary Canadian Art) and the professional and artist-run alternative gallery systems and art-centered publications. Indeed, this program’s location in Toronto provides an intellectual and artistic context for advanced study unequalled in Canada. Located in the culturally diverse city of Toronto, the MVS will be of interest to participants with backgrounds in humanities and social science disciplines: Studio Art, Visual Studies, Art History, Museum Studies, Women and Gender Studies, Anthropology, Architecture, Comparative Literature, Cinema Studies, Environmental Studies, Diaspora and Transnational Studies, and Drama.

### MVS Visiting Artists and Scholars

The MVS Visiting Artists and Scholars program insures contact with the latest developments in contemporary art and critical practice, inviting Canadian and international visitors to conduct individual and group critiques with MVS participants. The bi-weekly non-credit MVS Proseminar brings artists, curators, writers, architects and scholars from other research areas at the University into a lively discussion of current works-in-progress with all the MVS students.

### Internship

Between the first and second year of the MVS program, all students complete an Internship placement that complements their research in either studio OR curatorial practice. Placements can be within institutions and organizations or can be directed towards work with individual arts professionals and can be located in Toronto or in other Canadian or international locations. For the Internship credit, students work with the Program Director to secure an appropriate placement. A Letter of Agreement is drawn up by the Program Director that includes a description of the work, activity, project to be undertaken during the Internship, the time frame and the contribution the host organization will provide, as well as the name of the person acting as the supervisor for the Internship credit. This must be signed by the sponsoring organization, the Visual Studies Program Director and the student before the Internship can begin.

### “Show & Tell” in September

All in-coming MVS students (studio and curatorial) will do a 10-15 minute presentation to acquaint the faculty and MVS students with the work you have done in the past and then do a sentence or two about what your planned program of work in the first year of the MVS will be.

### Enhanced Tutorials for 1st Year Undergraduates

All MVS Studio and Curatorial students are asked to present an illustrated talk about their own practice (as artists or curators) to the Visual Studies first year undergraduates during the winter term. The exact schedule for these Enhanced Tutorials will be worked out during the fall term. The purpose of the Enhanced Tutorials is twofold: first, it is a good way to provide information about contemporary art and artists to the undergraduates and, second, it is an opportunity for all MVS students to develop a talk about their own work that can be useful later on if invited to present or speak by a gallery or school.

## MVS Studio Art

### Overview

The MVS Studio experience evolves within a rich environment structured around new approaches to visual art production, art theory, critical writing and professional practice. The MVS Studio faculty is comprised entirely of visual artists, with significant on-going exhibition careers. MVS Studio students pursue a highly focused investigation within studio practice along with research into contemporary theories exploring the visual and spatial relationships within art and cultural production.

The MVS Studio is concerned with the increasingly complex modes of visual expression through combinations of text, image, movement, sound and dynamic new electronic media. Accordingly, the participants will examine contemporary art practice and theory through core courses that will give them ample opportunity to develop skills in a variety of projects and media.

#### Multi-disciplinary and Interdisciplinary

The MVS Studio encourages both a multi-disciplinary and an interdisciplinary studio practice for our students. A multi-disciplinary art practice is one that incorporates a variety of media in its conception and production, crossing, combining or hybridizing art disciplines in its expression. This includes a variety of new and traditional media - video, installation, print technologies, photography, performance, painting and digital technologies – and produces a professional practice unique to contemporary art. As well, we expect MVS participants to benefit from the extensive resources available to them in other graduate programs at the University, including those in History of Art, Museum Studies, History, English, Drama, Comparative Literature, and Computer Science, thus offering a rich environment for interdisciplinary research and collaboration.

While all studio/practicum panels are chaired by MVS faculty, MVS Studio students are encouraged to invite University of Toronto graduate faculty from other departments to join their panels, expanding the possibilities for interdisciplinary exchange, research and production.

#### Graduating Exhibition and Qualifying Paper: MVS Studio

Throughout the final year of the MVS program, participants in the Studio field develop and produce a body of work that forms the basis for the graduating exhibition, scheduled for early April of the graduating year. Studio participants will benefit from working with a professional curator throughout the last term of their studies; the curator advises on installation and produces curatorial essays on each participant's work which are then printed in the catalogue for the exhibition. Final critiques and oral defense of the qualifying paper are conducted on-site in the exhibition with the participants' full panel of advisors. The qualifying paper (12-15 pages) will demonstrate the theoretical basis for the artworks produced during the MVS, detailing the research undertaken and discussing the relevance of the participant's chosen media. The qualifying paper will include a full bibliography.

#### Responsibilities of the Principal Advisor

The PA will review student's written summaries of the discussions of the panel during the critiques and will accept or suggest revisions. A copy is kept on file in the Program Director's office and then passed on to the student. The Principle Advisor also polls the panel and arrives at a mark for each term's studio/practicum work.

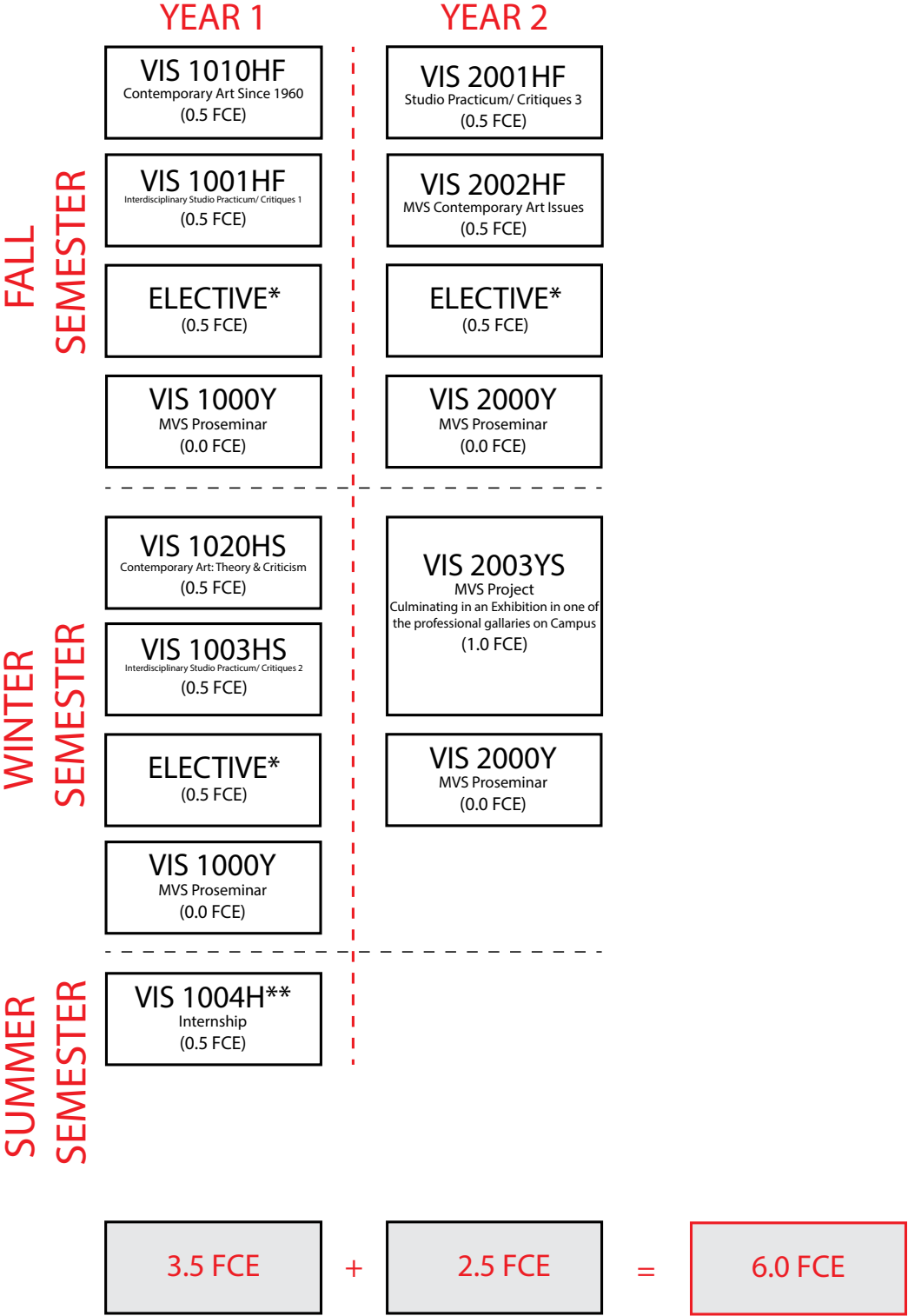
First Term Studio Practicum / Critique mark based on proposal and presentation at the end of term:

- Completeness of proposal
- Relevance of proposed or actual research to the proposed studio work
- Degree of interdisciplinary (or as it is sometimes called "intermedia") practice evident in the proposed body of work
- Quality of studio work-in-progress
- Quality of expanded written document about studio work

Second Term Studio Practicum / Critique mark based on revised proposal presented in February and final projects presented in at the end of term:

- Student's ability to experiment (with media, form, presentation) in balance with the completion of the work
- Evidence of the student's research in the finished work(s)
- Degree of interdisciplinarity (or as it is sometimes call "intermedia") practice evident in the work presented
- Over-all quality of work presented
- Clarity of artist's statement
- If necessary, student's fulfilling of panel's stated criteria as previously negotiated with student (see above)

# MVS Studio Art Degree Requirements



## Specific Program Requirements:

### Core Courses

VIS 1001HF	Interdisciplinary Studio Practicum/ Critiques 1
VIS 1003HS	Interdisciplinary Studio Practicum/ Critiques 2
VIS 1004H	Internship
VIS 1010HF	Contemporary Art Since 1960
VIS 1020HS	Contemporary Art: Theory & Criticism
VIS 2001HF	Studio Practicum/ Critiques 3
VIS 2002HF	MVS Contemporary Art Issues
VIS 2003YS	MVS Project

### Other

VIS 1000Y	MVS Proseminar
VIS 2000Y	MVS Proseminar

### Electives

+ 1.5 credits Elective Courses\*

### Notes

\*1.0 credits at the graduate level in a discipline relevant to the study and production of contemporary art, selected in consultation with the student's advisor and subject to the approval of the MVS Program Director.

\*\*An internship at a cultural institution taking place during May-August between the first and second year of study.

### Internship Requirement

The Internships will provide MVS participants with important networking opportunities with the many cultural communities in Toronto and beyond. In working with the host institution to develop and implement a project for the internship, the participants will also acquire first hand knowledge of professional contemporary art practices as embodied in both institutional and non-traditional venues. This shared experience within the art community will enrich research into and discussion of the theories explored in the seminars.

Your official listing of program requirements can be found in the SGS calendar here: [School of Graduate Studies \(SGS\) Calendar \(utoronto.ca\)](#)

# MVS Studio Art

## Evaluation Procedures

All students must refer to the details in their course outlines for deadlines and official evaluation requirements. The information in this handbook is to provide a summary. The official course syllabus must be contacted for all details.

MVS Studio students' Studio Practicum/Critique credits are evaluated by their Practicum Panel, comprised of their Principal Advisor and one other MVS Studio faculty member and the Program Director and 1 or 2 other faculty from outside the MVS Studio, at the student's request. The panel reads the student's proposal for a body of work and then, over the course of regular meetings (monthly, with the Principal Advisor) and 4 times per year for the full panel, interrogates the proposed art project in terms of the student's intellectual engagement with the subject, technical engagement with the chosen materials, depth of research into the subject - both conceptually and materially, and finally the time-line, i.e. will the proposed body of work be completed in time.

If any significant problem is identified by the panel, the Principal Advisor prepares a written summary of the issue(s) and this is given to the student and kept in the file.

At the end of the year, the student presents the body of work produced; at the conclusion of Year One, the student is required to present the work in studio; it is to be presented and installed professionally, taking into account the materials for exhibition. The final critique takes place within this "exhibition" with the full panel.

The expectation of this exhibition of a body of work is threefold:

1) That it resolve the theoretical and conceptual issues in the framework proposed by the student in the written proposal submitted (and often revised) in the middle of last term.

2) That the works be of a high quality, including the mastery of materials used in production. By this, we mean that the technical requirements of a graduate-level studio program are significantly higher than an undergraduate requirement.

3) That the works be of a sufficient quantity to demonstrate a full year's production at the graduate level (i.e. for the MVS, this means the student should be working at the same level of production as an emerging artist with a major exhibition coming at the end of the second term).

At the conclusion of Year Two, students are required to participate in the Graduating Exhibition in a gallery and to contribute all necessary materials (i.e. photographic documentation and c.v.'s) to the writer/curator producing the catalogue for the exhibition. The final critique also takes place within the exhibition with the full panel. Before the final critique in Year Two, students need to circulate their Graduating Paper, 12-15 pages (not including bibliography) that discusses the work in the exhibition; this paper will discuss the theoretical issues underlying the work and how the work addresses these issues. It will discuss the work in relation to work by other artists and include all relevant research that led up to this body of work in the annotated bibliography.

# MVS Curatorial Studies

## Overview

The MVS Curatorial Studies Program experience evolves within a rich environment structured around historical and contemporary approaches to curatorial practices, in conjunction with developments in the visual art, theory, and critical writing. In particular, MVS Curatorial Studies student will be focusing on the presentational challenges arising from complex modes of visual expression -- from object to installation, from text and image combination, temporal as well as audio and new electronic media -- within the increasingly dominant forces of the culture industry.

Guided by MVS Curatorial Studies faculty, which comprises the Director of Curatorial Studies and MVS Visual Studies faculty, as well as scholars in diverse disciplines and professionals in the field, program participants will examine the history and practical skills of exhibition-making in conjunction with studies of the developments of contemporary art and theory through core and electives courses. The course of study is designed to offer students ample opportunity for the in-depth development of the subject and contents of the Graduating Exhibition, its full realization for public presentation, and the Qualifying Paper in the form of a Catalogue Essay. The Graduating Exhibition will take place within one of several, nationally and internationally renowned University of Toronto galleries of contemporary art (Justina M. Barnicke Gallery at Hart House, Blackwood Gallery at UTM, or Doris McCarthy Gallery at UTSC) but may also be developed in offsite locations, including museums and galleries within the region.

### Interdisciplinarity

The MVS Curatorial Studies Program explores the multi-faceted approaches of contemporary curatorial undertakings in an interdisciplinary and international context. The aim of the program is to develop the intellectual and practical capacities for creating meaning through established and new formats of exhibition making, underscored by a wide variety of disciplines critical to the understanding of contemporary art and its presentation. We expect MVS participants to benefit from the extensive resources available to them in other graduate programs at the University, including those in History of Art, Museum Studies, History, English, Architecture, Women and Gender Studies, Diaspora and Transnational Studies, Semiotics, and Comparative Literature, thus offering a rich environment for interdisciplinary research.

While all Curatorial Studies panels are chaired by MVS faculty, MVS Curatorial Studies students are encouraged to invite University of Toronto graduate faculty from other departments as well as independent scholars and professionals to join their panels, expanding the possibilities for interdisciplinary exchange, research, and development of an intellectual and professional network.

### Responsibilities of the Principal Advisor

The PA will review student's written summaries of the discussions of the panel during the critiques and will accept or suggest revisions. A copy is kept on file in the Program Director's office and passed on

to the student. The PA also polls the panel and arrives at a mark for each term's curatorial/practicum work.

First Term mark based on proposal, writings, as well as presentation at the end of term:

- Completeness of proposal
- Curatorial merit such as originality of concept and selection of works
- Quality of research
- Quality of presentation
- Evidence of supporting history and theory (integration of relevant work in related fields and interdisciplinary context)

Second Term mark is based on revised proposal and completion of the exhibition:

- Curatorial merit (originality, knowledge, supporting research)
- Quality of the installation as a public presentation (vis-à-vis the concept and art works)
- Completeness and Quality of texts (integration of relevant work in related fields and interdisciplinary context)
- Quality of logistical execution and knowledge
- Level of Professionalism achieved

## Evaluation Procedures

All students must refer to the details in their course outlines for deadlines and official evaluation requirements. The information provide in this handbook is to provide a summary. The official course syllabus must be contacted for all details.

MVS Curatorial Studies Exhibition (VIS2101Y) credits are evaluated by their Advisory Panel comprised of a panel of three, including one (internal or external) Curator of the Gallery associated with the exhibition project (who may also be the principal advisor). At the student's request, one other faculty member or external Advisor (Curator, Professor, Critic, etc.) may be invited to participate. The purpose of the panel is to review the exhibition proposal and offer commentary and feedback to further the students' intellectual development, the research and scope of the proposed project, the relevance of selected works in view of the chosen subject of the exhibition, the quality of the writing and the critical path and practical development of the exhibition proposal over the course of the fall and winter semesters through to its realization. In addition to monthly meetings with the Principal Advisor, the student organizes four full panel meetings, including three to take place over the course of the fall and winter, and one final meeting to be held within the actual exhibition. Commonly, all MVS Curatorial Studies students will hold their panel meetings on the same day.

After each panel meeting, the Principal Advisor prepares a written report that includes any significant problem identified by a panel member; this will be given to the student and kept in the file. At the end of the fall semester students are expected to have a final, confirmed list of works and loan agreements in place. At the beginning of the second semester, students are expected to have prepared the first

draft of the catalogue essay (long form, approx. 5,000 words) and a final draft (1,000 words) for the brochure/publication to accompany the exhibition. The exhibition itself is to be completed by the third week of April, unless extenuating circumstances (i.e. gallery schedules) call for a later opening. The final panel meeting will be held in the exhibition or by way of a final presentation (Powerpoint, and installation mock-up, and all written materials).

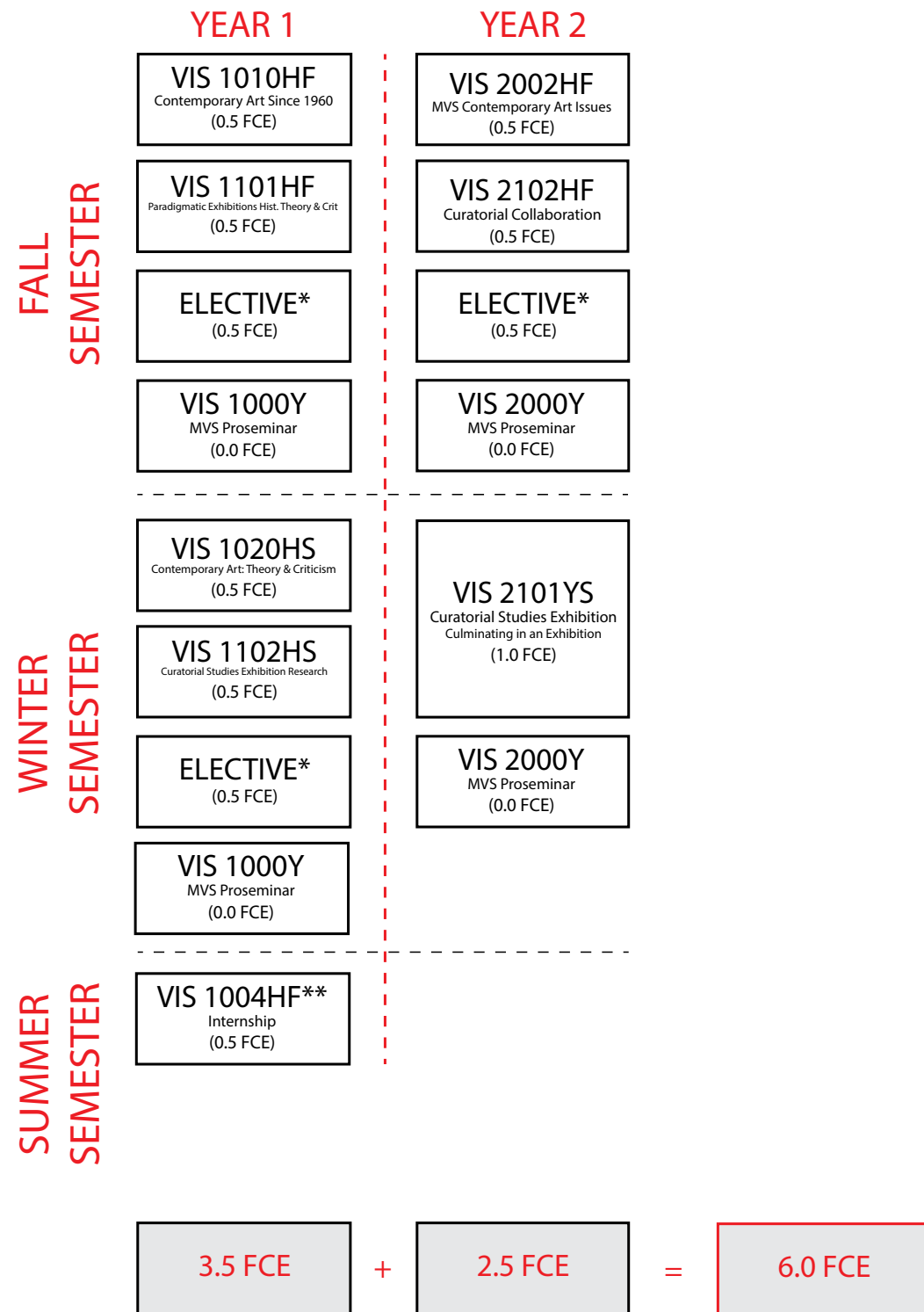
The expectation of the Graduating Project in the form of an Exhibition is three-fold:

1) That it presents and disseminates an individually curated, fully developed, conceptually and theoretically resolved, original exhibition presenting the work of professional artist(s) in a public context accompanied by an exhibition brochure and separate curatorial essay;

2) That it manifests the student's fully developed capacity to organize an exhibition in a broadly-based public context in all (and not limited to) the following areas: working in a professional manner within the team structure of the sponsoring gallery; conceptualizing with innovation and insight into contemporary art practices; developing a critical path and adhering to tight timelines throughout; negotiating professionally and with integrity with exhibiting artists, galleries, funders, and other constituents involved; organizing multi-leveled tasks associated with exhibition production (from securing loans to payment of artists' fees to shipping and installation planning); managing these tasks with foresight and utmost care; and capacity to write on contemporary art

3) that the student delivers a project – from concept to catalogue, production to installation within budget – that may be deemed an original contribution to curatorial knowledge and knowledge of (issues and practices in) the history of contemporary art, in order to further his/her career goals as emerging curator and its variegated entries into the professional milieu (e.g. curatorial assistant, exhibition coordination, assistant curator, outreach development, or at higher levels), within the private and/or public sector.

# MVS Curatorial Studies Degree Requirements



## Specific Program Requirements:

### Core Courses

VIS 1004H	Internship
VIS 1010HF	Contemporary Art Since 1960
VIS 1020HS	Contemporary Art: Theory & Criticism
VIS 1101HF	Paradigmatic Exhibitions: History, Theory and Criticism
VIS 1102HS	Curatorial Studies Exhibition Research
VIS 2002HF	MVS Contemporary Art Issues
VIS 2101YS	Curatorial Studies Exhibition Project - Culminating in an Exhibition
VIS 2102HF	Curatorial Collaboration

### Other

VIS 1000Y	MVS Proseminar
VIS 2000Y	MVS Proseminar

### Electives

+ 1.5 credits Elective Courses\*

### Notes

\*1.0 credits at the graduate level in a discipline relevant to the study and production of contemporary art, selected in consultation with the student's advisor and subject to the approval of the MVS Program Director.

\*\*An internship at a cultural institution taking place during May-August between first and second year of study.

### Internship Requirement

The Internships will provide MVS participants with important networking opportunities with the many cultural communities in Toronto and beyond. In working with the host institution to develop and implement a project for the internship, the participants will also acquire first hand knowledge of professional contemporary art practices as embodied in both institutional and non-traditional venues. This shared experience within the art community will enrich research into and discussion of the theories explored in the seminars.

Your official listing of program requirements can be found in the SGS calendar here: [School of Graduate Studies \(SGS\) Calendar \(utoronto.ca\)](https://www.utoronto.ca/school-of-graduate-studies/calendar)

# Master of Forest Conservation

## Overview

Our pioneering Master of Forest Conservation (MFC) program will enable you to make a difference by entering into professions responsible for the policies and practices that have a profound impact on all living organisms and on the sustainability of human social and economic systems; work that is crucial to society and the planet's health.

The MFC program is accredited by the Canadian Forestry Accreditation Board. Accreditation by an external body ensures that our students graduate with the competencies required to practice professional forestry.

Over a course-intensive 16-month program, you will study all aspects of forest conservation including sustainable forest management, urban forestry, forest economics, forest governance and policy, forest and wildlife conservation biology, silviculture, and current issues in forest conservation in Canada and around the world. MFC graduates can feel confident in their knowledge of forestry and conservation issues and methods and in their ability to think analytically, write and speak clearly and convincingly about complex issues and ideas, work effectively in groups of people with sometimes disparate views, and critically assess and apply information.

### Program Features

- Real-world experience – A three-month internship with an organization aligned with your interests. We help secure positions with the broadest spectrum of sectors of any forestry or conservation program in Canada, including industry, all levels of government, and private and non-governmental organizations at home or abroad.
- International exposure – An optional international field course to destinations such as Malaysia, Brazil, the western United States, Scandinavia, China and Spain.
- Practice – Domestic and international field courses give you hands-on experience. Accreditation widens the job market for our students to include positions that require registered professional foresters.
- Collegiality – Each incoming class is small, giving you easy access to professors and instructors passionate about their teaching and research and invested in your personal success. Course work is often collaborative, helping you form close working relationships with your classmates, which often blossom into lifelong friendships.
- Flexibility – You don't need previous education in Forestry or Environmental Science to be admitted to the MFC program – we will fill in the gaps, whether you are a graduate of English, political science, engineering or biology. Enrol on a full-time, extended full-time, or part-time basis and tailor the program to meet your interests.

- Job Prospects – Our established relationships in all sectors will expose you to prospective employers throughout the program, including forest industry groups, NGOs, government agencies, professional associations, and community groups.

### Collaborative Specialization in Environmental Studies

MFC students can choose to complete a Collaborative Specialization in Environmental Studies through the University of Toronto's School of the Environment. Students who complete the collaborative specialization will receive the notation, "Completed Collaborative Specialization in Environmental Studies" on their transcript. Please visit the Environmental Studies Collaborative Specialization site for details.







# Collaborative Programs and Research Centers

## Knowledge Media Design

Students with strong interests and skills in the emerging cross-disciplinary field of Knowledge Media Design may apply for the Collaborative Program in Knowledge Media Design (KMD). As part of the KMDI, the program provides a specialization for graduate students from a variety of academic backgrounds to engage in the design, prototyping, evaluation, and use of media intended to support and enhance the ability of individuals and groups to think, communicate, learn, and create knowledge.

Master's students must successfully complete KMD 1001H, KMD 1002H, and 0.5 full-course equivalent (FCE) from the KMD 2001-2004 series or a list of recognized affiliate courses. They also must submit a portfolio that includes completed student research in Knowledge Media Design. Please visit <http://kmdi.utoronto.ca/> and <http://kmdi.utoronto.ca/program/courses/> for more information.

For more information about applying for the KMD Collaborative Program, go to <http://kmdi.utoronto.ca/program/applying/>

## Sexual Diversity Studies

The Mark S. Bonham Centre hosts a collaborative graduate program in Sexual Diversity Studies at the M.A. and Ph.D. levels for faculty and students interested in questions about how we understand sexual diversity and sexual practices.

Among these questions are how we frame and categorize sexual differences, why we fear some and celebrate others, how medical, religious, and political authorities respond to them. What is the nature of sexual identity and orientation? How and why is sexuality labeled as lesbian, heterosexual, perverse, normal, gay, or queer? How do cultures at different times and places divide the sexual from the non-sexual?

For more information, visit [www.sds.utoronto.ca](http://www.sds.utoronto.ca)

## Centre for Landscape Research

The Centre for Landscape Research (CLR) provides a support structure and a culture of research aimed at enhancing the knowledge base of the profession of landscape architecture at the University of Toronto. Also, it seeks to complement research infrastructure to the benefit of the MLA, MUD and MArch Programs. The Centre for Landscape Research (CLR) provides a support structure and a culture of research for faculty and students who have research interests overlapping with the knowledge base of landscape architecture. CLR began in the early 1980's in conjunction with graphics and user interface research into computer aided design (CAD) and geographic information systems

(GIS). CLR was formally constituted as a Centre in the Faculty in 1989 with Professor Fife as the first Director. The centre is currently co-directed by professors Danahy and Wright.

The CLR is committed to multidisciplinary research and welcomes participants from any discipline. CLR is closely associated with the Knowledge Media Design Institute (KMDI) and the Cities Centre at the University of Toronto. Most recently, the CLR has been collaborating with the National Centre of Excellence (NCE) in geomatics called GEOIDE through projects in visualizing climate change mitigation with CALP at UBC and Planning at U of Waterloo. A second NCE project lead by the Cities Centre is examining the integration of GIS based urban models and transportation models.

Throughout its history CLR has extended its facilities and activities in a transdisciplinary way to KMDI, Cities Centre, Architecture, Planning, and Urban Design. The Centre has no base budget and does not do teaching; instead, it coordinates infrastructure and funding contributed by faculty to enhance teaching that fosters graduate research with an interest in landscape. In addition to its funded labs, CLR has supported and fostered a variety of individual research activities on specific research topics developed by individual faculty in landscape architecture over many years.

The CLR has two research laboratories (Immersive visualization and the Green Roof Innovation Testing – GRIT- lab) in which several faculty collaborate. The digital media project has been running since the early 1980's and tackles unique projects and research questions that look into ways of adapting the disciplinary language and methods of landscape architecture through spatial computing and design-planning practice. The laboratory has specialized in projective urban modeling and visualization. The immersive visualization room established in partnership with Parallel World Labs (a Toronto based company established by alumni of CLR) is used as a prototype urban design decision theatre.

The second research facility in CLR is the Green Roof Innovation Testing (GRIT) lab. The GRIT is dedicated to the study of Green Roofs, Green Facades and Solar Technologies and is led by Professor Liat Margolis.

## Travel Abroad

### Safety Abroad

The Safety Abroad Office works with students, staff and faculty to minimize risk by:

- Providing Safety Abroad Workshops
- Monitoring international security situations
- Assisting students with emergencies abroad
- Offering a 24-hour emergency line

Students must register with the Safety Abroad Office (SAO) and participate in a mandatory Safety Abroad Workshop before participating in a University-sponsored program overseas. The Safety Abroad Office provides support services to give students peace of mind while away from home.

Due to the ongoing pandemic conditions around the world, the University of Toronto has made the difficult decision to extend the suspension of University activity to international locations by students from September 1, 2021 to December 31, 2021.

Please see: <http://www.studentlife.utoronto.ca/cie/safety-abroad>

## School of Environment Collaborative Specializations

The Collaborative Specializations in Environmental Studies and Environment and Health offer students enrolled in a Forestry graduate degree program the opportunity to specialize and explore an interdisciplinary area that complements their existing degree program. No additional fees are required for enrollment in the Collaborative Specializations offered by the School of the Environment.

Please visit the website of the [School of the Environment](#) for more information



# Research Stream Programs

## Course Enrolment

### Forestry MScF and PhD Programs

The 2021-22 timetable and course descriptions will be posted to our website <https://www.daniels.utoronto.ca/students/current-students> by August 1, 2021.

#### Note:

All incoming Forestry research stream students will be automatically pre-enrolled into the FOR1001HY Graduate Seminar course. Students should consult with their individual supervisors regarding elective/ research-specific course selection, research interests and plans

- **Course enrolment begins in August 3rd:** Students, in consultation with their supervisor, are expected to have planned their course work and to have planned, or arranged, their supervisory committee membership.
- By the SGS deadlines for adding fall and full-year courses (September 20, 2021), students must add their courses via ACORN

### PhD in Architecture, Landscape, and Design

The 2021-22 timetable and course descriptions will be posted to our website <https://www.daniels.utoronto.ca/students/current-students/graduate> by August 1, 2021.

#### Note:

All incoming ALD PhD students will be automatically pre-enrolled into their required core courses. Students should consult with their individual supervisors regarding elective/ research-specific course selection, research interests and plans.

- **Course enrolment begins on August 17th:** Students in consultation with their supervisor and the PhD Program Director are expected to have planned their elective course work for year 1 and must add their elective courses via ACORN by the SGS deadlines for adding fall and full-year courses (September 20, 2021).

### Courses offered outside Daniels Faculty

Information on other graduate departments, their locations, and graduate course offerings is available on <https://www.sgs.utoronto.ca/> (current students page) and individual graduate department websites. Daniels students must follow the process and requirements of the host department to add courses outside of the the Daniels Faculty.

Important dates and registration deadlines are available on the on the SGS Calendar and can be found on <https://www.sgs.utoronto.ca/current-students/sessional-dates/>

## Academic Calendar, Timetable

The School of Graduate Studies Calendar (SGS) is the official guide to the rules and regulations pertaining to all graduate programs, including but not limited to, a listing of courses offered, program/degree requirements, important dates and deadlines and program details.

All newly admitted and current research stream students are strongly encouraged to review the SGS Calendar (<https://sgs.calendar.utoronto.ca/>), the Academic Timetable and the Policies and Procedure for various milestones that will be available on the Research Stream section of the Daniels Faculty Website (<https://www.daniels.utoronto.ca/students/current-students>) by August 1, 2021

\*PhD students in Architecture, Landscape and Design must also review the ALD PhD Manual that will be made available on the Research Stream section of the Daniels Faculty Website (<https://www.daniels.utoronto.ca/students/current-students>) by August 15, 2021.

## Off-Campus Registration, Residency

There is an expectation that students must be on campus full-time and consequently in geographical proximity to be able to participate fully in the University activities associated with the research stream programs. Exceptions to the residency requirement must be approved by the Supervisor/Supervisory Committee and the Daniels Faculty. Exceptions are only granted for research that must be completed off-campus for which the student must go through the off-campus registration process.

## Collaborative Specializations

The Collaborative Specializations in Environmental Studies and Environment and Health offer students enrolled in a Forestry graduate degree program the opportunity to specialize and explore an interdisciplinary area that complements their existing degree program. No additional fees are required for enrollment in the Collaborative Specializations offered by the School of the Environment.

Forestry research stream students must consult with their individual supervisors before applying for a Collaborative Specialization.

Please visit the website of the School of the Environment (<https://www.environment.utoronto.ca/graduate/collaborative-specializations/>) for more information.

## Supervisor/Supervisory Committee

It is the student's responsibility to consult with the supervisor and Supervisory Committee (where applicable) to design a study plan and fulfill course and program requirements.

### Forestry MScF and PhD Programs

Students are assigned a Supervisor upon admission will be informed of this in the letter of offer. Students should consult with their individual supervisors regarding supervisory committee membership.

Within the first six months in the program, a draft research proposal must be prepared, and one supervisory committee meeting must be held. *A minimum of one supervisory committee meeting a year (or more often as appropriate) is required.*

Students are expected to maintain close communication with their supervisors as they proceed through the degree program. This includes following the progress plan approved by their supervisory committee for completion of their degree requirements within the time-frame of their cohort years (1 year for MScF, 4 years for PhD, and 5 years for PhD direct-entry students and students transferring from a MScF to a PhD) and beyond.

### PhD in Architecture, Landscape, and Design

Students are assigned a Supervisor upon admission and will be informed of this after the start of their program. In the first week of class, students must submit a completed Primary Supervisor form to the Graduate Administrator for a copy to be placed in their file (see <https://www.daniels.utoronto.ca/students/current-students> for all forms, available as of August 15, 2021). Students are expected to maintain close communication with their supervisors as they prepare for elective course selection, departmental exams and proceed through the degree program.

The student must collaborate with the Supervisor to identify faculty who will serve as members of the Supervisory Committee as per the School of Graduate Studies (SGS) and departmental requirements (please refer to the ALD PhD Manual on <https://www.daniels.utoronto.ca/students/current-students> for more information, available as of August 15, 2021). The supervisory committee must be formed after the completion of both Comprehensive departmental exams and no later than the summer of Year 2 in the program.

Students are expected to meet with their Supervisory Committee at least once per term and must have an annual progress meeting once a year starting from the summer of Year 2 in the program.

## Departmental Registration, Fee Payment and Funding Packages

A student is considered registered as soon as he or she has paid tuition and incidental fees or has made appropriate arrangements to register without payment/ tuition fee deferral. The School of Graduate Studies provides information on registration and fees to all new students in late July; you can also refer to the SGS website ([https://www.sgs.utoronto.ca/admissions/graduate-fees/#section\\_14](https://www.sgs.utoronto.ca/admissions/graduate-fees/#section_14))

Students who are receiving funding as part of the Daniels Faculty funding commitment *will have their fees deferred by the Graduate Administrator*. This will be done by August 27, 2021.

Once the tuition fee deferral process is completed, you are considered 'registered'. All funding payments inclusive of tuition fees will be processed in appropriate installments after the student is registered.

More details about tuition fees, payments and deferrals for the 2021-22 academic year will be available on the Daniels Faculty website (<https://www.daniels.utoronto.ca/info/current-students/graduate/tuition-fees>) by August 1, 2021.

Newly admitted research stream students were advised of their funding package eligibility and the Financial Support/Awards Policy with their offers of admission. Funding packages are made up of a combination of major/external awards (e.g., NSERC, SSHRC, OGS), University of Toronto and departmental scholarships and fellowships, Teaching Assistantships and/or Research Assistant positions in the Daniels Faculty. The sources for individual packages will differ among students and may vary from year to year. More specific details on the make-up of each student's funding package will be sent out by the end of August 2021.

We strongly urge students to set up direct deposit by logging in to **ACORN** and adding the necessary banking information. Direct deposit will ensure that you receive your payment(s) quickly. Student who do have their direct deposit set up will be sent cheques to the address listed on their ACORN accounts by Student Accounts ([info.studentaccount@utoronto.ca](mailto:info.studentaccount@utoronto.ca)).

## Awards, Bursaries, and Emergency Loans

Application information on awards and bursaries are circulated at varying times of the year dependent on the award/bursary. It is the student's responsibility to ensure that applications for awards/ bursaries are completed and submitted by the required deadlines. Award and bursary payments are issued through ACORN and applied against any unpaid fees. Any remaining balance will be issued directly to the student as a cheque or direct deposit.

Graduate Government-Funded awards and other awards administered by the Graduate Awards Office at the School of Graduate Studies

or by Enrolment Services may require the Daniels Faculty Awards Committee to conduct the initial selection process prior to sending top applications forward to be centrally adjudicated. To view award competitions to see what's available through the School of Graduate Studies please visit the Awards page (<https://www.sgs.utoronto.ca/awards-funding/>) As per the Faculty's funding policy, all research stream students are required to apply for external awards for which they are eligible.

The School of Graduate Studies (SGS) offers students financial assistance by means of a grant or loan. For more information, please visit the Financial Assistance page ([https://www.sgs.utoronto.ca/awards-category/financial-assistance/#section\\_4](https://www.sgs.utoronto.ca/awards-category/financial-assistance/#section_4))

## Teaching Assistanships

Teaching Assistants are governed by the CUPE 3902, Unit 1 union. For information regarding the collective agreement please visit the CUPE 3902 Documents page ( <https://www.cupe3902.org/unit-1/documents/>) and Unit 1 Benefits page(<https://www.cupe3902.org/unit-1/benefits/>)

For all TA job postings, please visit the CUPE 3902Unit 1 Job Postings (<https://unit1.hrandequity.utoronto.ca/> )

### Forestry MScF and PhD Programs

Forestry research stream students who wish to hold a Teaching Assistant (TA) position must apply. Income from Teaching Assistantships are considered above and beyond the funding package. Forestry PhD students who hold a Teaching Assistant position within the Daniels Faculty will be entitled to subsequent appointments. It is the student's responsibility to let the Program's Office know if they intend to TA the following academic year and make any TA course requests by the due date.

### PhD in Architecture, Landscape, and Design

PhD students in Architecture, Landscape and Design are automatically assigned a Teaching Assistant position as part of the funding package. Teaching Assistant (TA) positions will be based on roughly 175 hours distributed over the fall and winter terms. Students will be given a TA position that does not conflict with their core courses. Students may apply to additional TA positions either within the Daniels Faculty or across the University of Toronto.

## Access and Space

All research stream students will require an FOB key to access the Daniels Faculty buildings. Students are required to pay a \$100 key deposit, refundable upon request at degree completion. The replacement cost for a lost FOB is \$25; this replacement cost is non-refundable. Students can pick up their fobs and make payments at the Office of the Registrar and Student Services (1 Spadina) payment can be made by credit/debit or cash.

Information about how and when to pay your deposit and when and where to pick up your FOB will be emailed to students in August.

### Forestry MScF and PhD Programs

Forestry research stream students will be assigned an office space within the Earth Sciences Centre (33 Willcocks) and will be issued keys to the office space. More information will be sent to towards the start of the new academic year by Laura Lapchinski, Operations Coordinator.

Spaces for undergraduate and graduate Forestry students inclusive of classrooms, and labs a can be found at 33 Willcocks (Forestry, Earth Science building). All administrative staff will be located at 1 Spadina Crescent (Daniels Faculty building).

In order to receive the \$100 deposit back (upon program completion), students must return all fobs/keys to the Office of the Registrar and Student Services or Laura Lapchinski.

### PhD in Architecture, Landscape, and Design

Research stream students in the PhD Architecture, Landscape and Design program will be assigned an office space at 1 Spadina Crescent that will be accessible with a fob. More information will be sent to towards the start of the new academic year.

Spaces for undergraduate and graduate Architectures students inclusive of classrooms, studios and workshops can be found at 1 Spadina Crescent (Daniels Faculty building). All administrative staff will be located at 1 Spadina Crescent (Daniels Faculty building).

To receive the \$100 deposit back (upon program completion), students must return all fobs the Office of the Registrar and Student Services.

## Acorn

Visit <https://help.acorn.utoronto.ca/how-to/> for a detailed, step-by-step guide to using ACORN for course enrolment, checking finances, updating address and contact information, ordering transcripts, and more. When you begin your studies at U of T, your JOINid will become your UTORid, which will allow you to access a number of services such as email, library resources, and Quercus, the University's student portal and learning management system.

## UTORid and JOINid

All admitted students will receive an email from the School of Graduate Studies (SGS) on enabling your JOINid (<https://www.utorid.utoronto.ca/cgi-bin/utorid/enable.pl>). If you have not received information or are having difficulties setting this up, please reach out to SGS ([admissions.sgs@utoronto.ca](mailto:admissions.sgs@utoronto.ca)). When students begin their studies at U of T, their JOINid will become the UTORid.

## University of Toronto Email

Under University policy, students are required to maintain a University based email account (i.e., ending in utoronto.ca or toronto.edu), record it in ACORN, and regularly check for messages. The Faculty and University will only send correspondence to your utoronto email account. You will obtain your e-mail address when you get your TCard

## TCard

Your TCard is your identification for academic purposes. It includes your photo, UTORid, student number (or personnel number, for staff and faculty) and a barcode. It provides access to services and facilities such as libraries, athletic facilities, exams, meal plans, online learning portal, printing services, and more.

TCard Office: [Koffler Student Service Centre, Room 102, 214 College St.](#)

Website: [www.tcard.utoronto.ca](http://www.tcard.utoronto.ca)

## Student Responsibility

1. It is the student's responsibility to consult with the supervisor to design a study plan and fulfill all course and program requirements within appropriate timelines.

2. While academic advisors, faculty, and staff are available to assist and advise, it is ultimately the student's responsibility to keep personal and academic information up to date at all times and to follow all University, SGS, departmental and program regulations, requirements and deadlines. ACORN makes it easier for you to check and correct this information. If questions arise about requirements, policies and procedures, students are responsible for seeking answers to these questions from staff and advisors.

3. It is important to keep your 'Mailing Address' and your 'Permanent Address' and telephone numbers up-to-date on ACORN. Each type of address is used differently at the University of Toronto, and both should always be accurate. The 'Mailing Address' is used when award payments are processed. Whether a student has direct deposit (the default when banking information is added to ACORN)

or receives award cheques in the mail, ACORN will NOT process a student's award instalment unless the student's ACORN 'Mailing Address' is active.

4. Email is used extensively to expedite communications within the University and the Faculty. Also, graduate student mailboxes should be checked periodically. The Faculty and University will only send correspondence to your utoronto email account.

5. Students are responsible for knowing the status of your course requests at all times. This information can be obtained through ACORN.

6. All research stream students are required to apply for external awards for which they are eligible, failure to do so may compromise the funding package.

# Master of Science in Forestry

## Overview

Master of Science in Forestry (MScF) students conduct focused research under the supervision of one of our faculty members. Faculty members' research is often interdisciplinary and applied in nature, distilling the utility and impact of discoveries and enabling partnerships with the public, private and non-profit sectors.

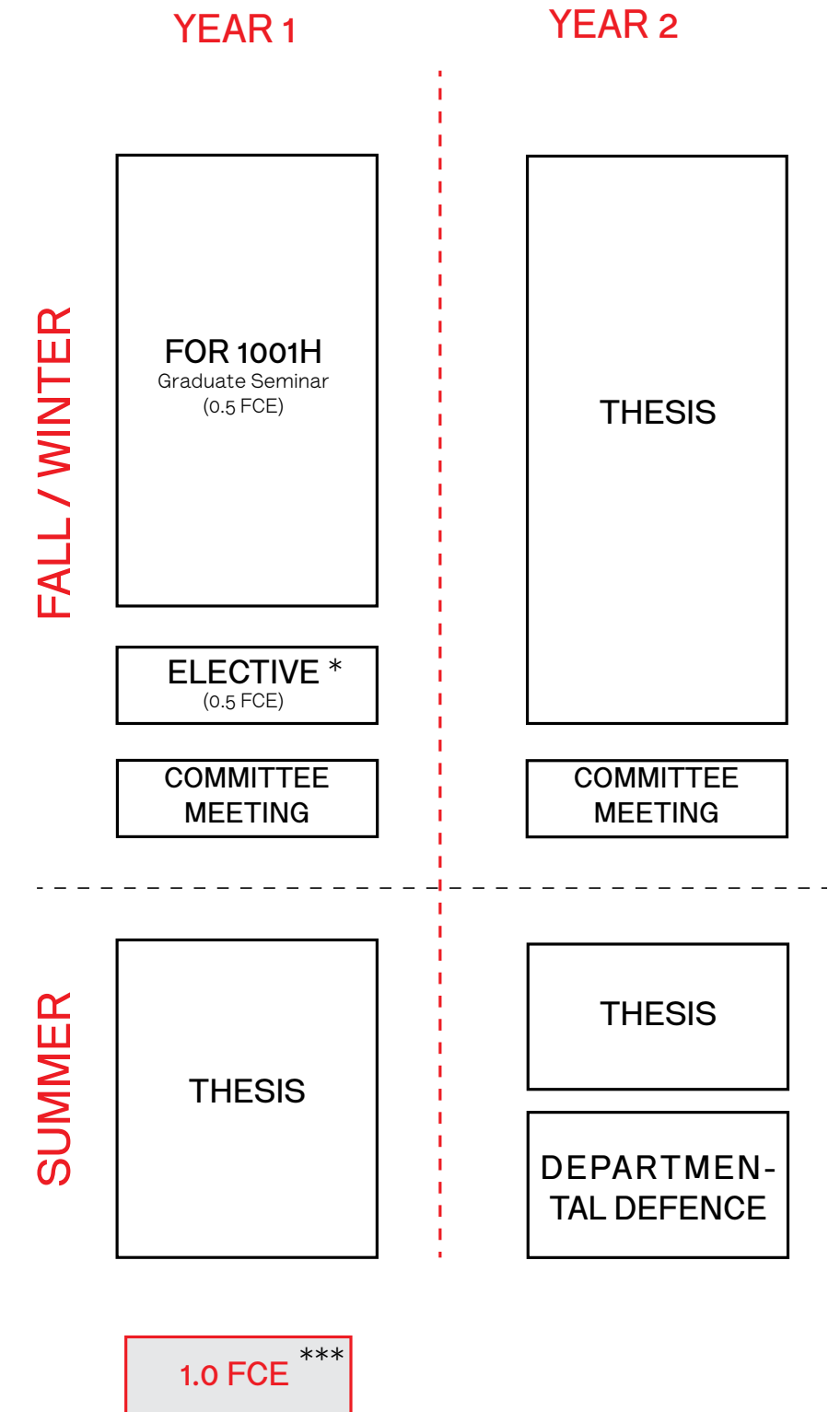
Successful candidates come from a variety of backgrounds including biology, botany, ecology, economics, environmental studies, engineering, forestry, agriculture, mathematical and computer science, physical and social sciences, and zoology.

Your program will be developed to reflect your individual strengths and research interests. Research interests of our Faculty Members include (but aren't limited to):

- Forest conservation biology and wildlife ecology
- Forest biosphere science
- Invasive species and threats to forest health
- Environmental sustainability of managed forests
- Fire and ecosystem management
- Sustainable development and economics
- Political ecology and governance of forests
- Social and cultural ecology of forest ecosystems
- Urban forestry
- Forest Biomaterials Science
- Bioenergy



## Master of Science in Forestry Degree Requirements



## Specific Program Requirements:

### Requirements

- FOR 1001H Graduate Seminar
- 0.5 FCE Elective
- The preparation of a research thesis of acceptable quality and its oral defense.

### Electives

\* Students may take electives from any graduate unit. Students may take electives in any session of their program. Below are possible Forestry elective courses.

\* Students may take electives from any graduate unit. Students may take electives in any session of their program. Below are possible Forestry elective courses.

FOR1270H	Forest Biomaterial Sciences: Fundamentals, Applications, and the Next Frontier
FOR1288H	Design and Manufacturing of Biomaterials
FOR1294H	Bioenergy and Biorefinery Technology
FOR1412H	Natural Resource Management 1
FOR1413H	Natural Resource Management 2
FOR1416H	Forest Fire Danger Rating
FOR 1575H	Urban Forest Conservation
JPG1610H	Sustainable Forest Management & Certification
FOR1900H	Advanced Topics in Forestry 1
FOR1901H	Advanced Topics in Forestry 2
FOR 3000H	Current Issues in Forest Conservation
FOR3001H	Biodiversity of Forest Organisms
FOR3002H	Applied Forest Ecology and Silviculture
FOR3003H	Economics of Forest Ecosystems
FOR3004H	Forest Management Decision Support Systems
FOR3005H	Stresses in the Forest Environment
FOR3006H	Case Study Analysis in Forest Management

### Notes

\*\* Minimal course requirements for this degree are 1.0 full-course equivalent (FCE). Depending on the student's background, additional or alternative coursework may be required.

Your official listing of program requirements can be found in the SGS calendar here: [School of Graduate Studies \(SGS\) Calendar \(utoronto.ca\)](#)





# Doctor of Philosophy in Architecture, Landscape, and Design

## Overview

The post-professional Doctor of Philosophy in Architecture, Landscape, and Design is a unique, highly rigorous and interdisciplinary program that trains students in multiple specialties and related disciplines to pursue research of the highest academic standard. It includes advanced exploration of the various methodologies of each discipline ranging from theoretical to applied research and produces graduates that can advance the field of conventional academic scholarship while also creating new models of research-based practice that can be implemented in real world settings.

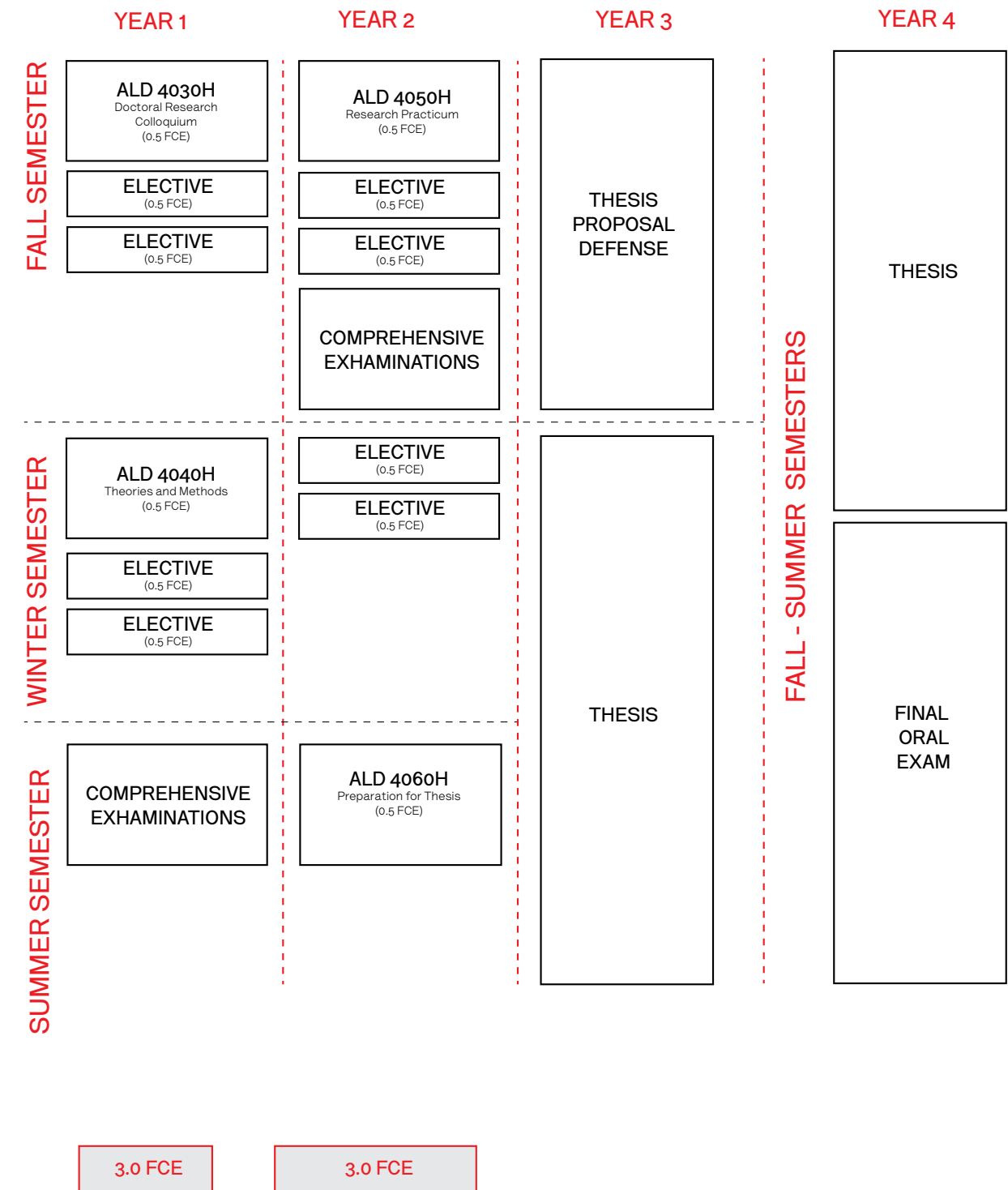
In addition to the core faculty, affiliated faculty with expertise in addressing design problems from multiple disciplinary perspectives in other faculties, schools, and departments across the University of Toronto will be directly involved in the life of the program.

Through a novel curriculum — one that is unlike other Ph.D. programs in architecture schools in Canada or internationally — the Ph.D. program at Daniels requires students in all disciplines to pursue study independently and to share that research with an interdisciplinary cohort at every stage in the curriculum. At the beginning of the curriculum, coursework — including a colloquium and a methods course in the first year, and a practicum and dissertation preparation course in the second — encourages students to work across disciplines in order to familiarize themselves with the broad fields of knowledge necessary to address contemporary scholarly, political, economic, and policy problems. Graduates will be grounded in a research informed practice that will transcend current disciplinary boundaries and position them to engage and lead the emerging, broader discussion, outside and between the specific design disciplines.

Students in the Ph.D. program will have opportunities to work with a wide range of institutions within and beyond the University of Toronto: the Jackman Humanities Institute, the Global Cities Institute, the Munk School of Global Affairs, the Art Museum at the University of Toronto, the Canadian Centre for Architecture, the Royal Ontario Museum, the Art Gallery of Ontario, and the rich array of universities in and near Toronto.

The Ph.D. is intended for students with aspirations in academic research and teaching, research in government and industry, and research within design firms.

## Doctor of Philosophy in Architecture, Landscape, and Design Degree Requirements



## Specific Program Requirements:

### Requirements

- Coursework (6.0 credits, including 4.0 credits in electives and four required Ph.D. courses: ALD4030H: Doctoral Research Colloquium; ALD4040H: Theories and Methods; ALD4050H: Research Practicum; and ALD4060H: Preparation for Thesis)
- A two-part comprehensive exam testing breadth after 18 months and depth after 24 months
- Successful defense of a dissertation proposal
- Written dissertation
- Successful doctoral final oral examination

Note: Additional courses or examination requirements may be necessary based upon faculty advisement.

### Mandatory

ALD 4030H  
ALD 4040H

### Doctoral Research Colloquia

(ALD 4050H) Research Practicum: The practicum generally results in a long research paper. This requirement enables students to conduct independent research on a limited scale at the level of quality expected for a dissertation, although the resulting paper is much shorter in length.

(ALD 4060H) Preparation for Thesis: Independent thesis research in preparation for the general exams or dissertation proposal.

### Electives

Minimum 3.0 credits (six half-credit courses) are electives to be selected from advanced (3XXX series) graduate level courses offered at the Daniels or advanced graduate courses in cognate disciplines across the University of Toronto pending the approval of the Faculty. The student's program of study will be determined in consultation with his or her supervisory committee and approved by the committee.

Your official listing of program requirements can be found in the SGS calendar here: [School of Graduate Studies \(SGS\) Calendar \(utoronto.ca\)](#)



# Doctor of Philosophy in Forestry

## Overview

Doctor of Philosophy (PhD) students conduct focused research under the supervision of one of our faculty members. Faculty members' research is often interdisciplinary and applied in nature, distilling the utility and impact of discoveries and enabling partnerships with the public, private and non-profit sectors.

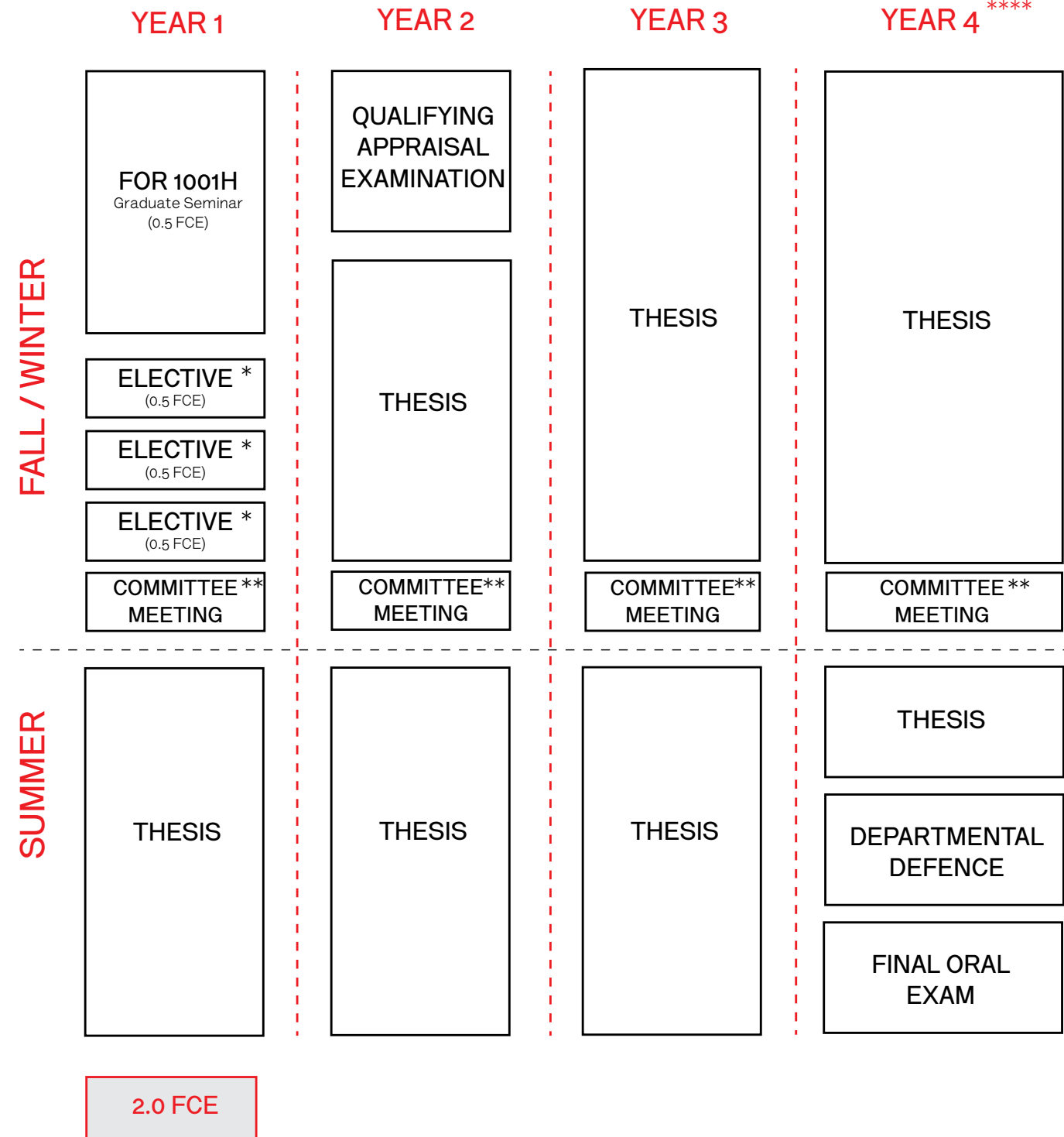
Successful candidates come from a variety of backgrounds including biology, botany, ecology, economics, environmental studies, engineering, forestry, agriculture, mathematical and computer science, physical and social sciences, and zoology.

Your program will be developed to reflect your individual strengths and research interests. Research interests of our Faculty Members include (but aren't limited to):

- Forest conservation biology and wildlife ecology
- Forest biosphere science
- Invasive species and threats to forest health
- Environmental sustainability of managed forests
- Fire and ecosystem management
- Sustainable development and economics
- Political ecology and governance of forests
- Social and cultural ecology of forest ecosystems
- Urban forestry
- Forest Biomaterials Science
- Bioenergy



## Doctor of Philosophy in Forestry Degree Requirements



## Specific Program Requirements:

### Requirements

- FOR 1001H Graduate Seminar
- 1.5 credits Elective
- Qualifying Appraisal Examination
- Departmental Defence
- Final Oral Exam

### Qualifying Appraisal Examination

Successful completion of a qualifying appraisal examination. The examination will be oral and will ordinarily be taken prior to the completion of 16 months in the program.

There are three possible outcomes: pass, decision deferred pending supplementary undertakings, or unsatisfactory. If there is more than one negative vote, the outcome will be judged unsatisfactory. Students are permitted one further attempt.

### Departmental Defence

Preparation and defence of a thesis that is an original and independent research work adding significantly to the existing body of knowledge

### Final Oral Exam

On successful completion of the departmental oral examination (usually involving the supervisor(s) signing off on changes/corrections to the thesis after the departmental oral examination), the candidate, in conjunction with the supervisor and the Graduate Office, begins the process of arranging for the University's final oral examination. Candidates must allow seven to eight weeks between the time when the thesis is approved and ready to be sent to the External Appraiser and the date of the final examination.

### Electives

\* Students may take electives from any graduate unit. Students may take electives in any session of their program. Forestry elective courses can be found on the Program website.  
<https://forestry.utoronto.ca/>

### Notes

\*\* Annual Committee meetings are required.

\*\*\* Minimal course requirements for this degree are 2.0 credits. Depending on the student's background, additional or alternative coursework may be required.

\*\*\*\* 4 year program length for:

MScF students that transferred by the end of Year 1 to the PhD program. Bachelor's degree students who were admitted to the PhD program via direct entry.

Your official listing of program requirements can be found in the SGS calendar here: [School of Graduate Studies \(SGS\) Calendar \(utoronto.ca\)](#)



# Important Dates 2021-22

For a full listing of sessional dates, please see our website.

## August 2021

2	Civic Holiday (University Closed)
3	Forestry students begin course enrolment on ACORN
4-17	Optional: Skills Workshop ( Newly Admitted students) Optional: Revit Skills Workshop (MARC yr 2 & 3)
17	Elective Enrolment Begins (all programs, FOR continues)
18-Sept 3	August Intensives: ARC1021HF and ARC2042HF and URD1021HF
20	Elective enrolment open to all Daniels Faculty students (Incl Forestry Students)
23-Sept 3	August Intensives: ALA4010H, ALA4020H
27	Recommended tuition fee payment deadline
30-Sept 3	August Intensives: LAN1041HF Field Studies 1
30-Sept 10	Forestry Field Course - MFC2020 class (FOR1585H)
30	Out of Faculty students able to request enrolment in Daniels Faculty electives using the SGS add/drop form

## September

6	Labour Day (University Closed)
8	Summer session grades available for viewing by students on ACORN.
9-17	Field Course: FOR3001H - Biodiversity of Forest Organisms (MFC 1st year students)
9	ALL courses and Fall Electives commence this week (excluding MFC 1st year students)
10	Registration deadline for students registering or starting their program in the Fall (September to December) session; after this date, a late registration fee will be assessed. Minimum required payment due (unpaid fees from previous session[s] + 100% of current Fall tuition fee charges).
15	Final date to submit final doctoral theses to SGS to avoid fee charges for 2021-2022
19	Final day fall and full-year courses waitlist operational
20	Final date to add full-year and fall session courses MFC Forestry 1st Year Core Courses commence FOR1001Y course begins
30	Payment deadline to avoid service charges on unpaid Fall (September to December) session tuition and non-tuition fees for students registered in the Fall session only, except for those who have successfully registered without payment

## October

1	Final date to submit final doctoral theses for Fall convocation
11	Thanksgiving Day (University closed)
25	Final date to drop fall session full or half credit courses without academic penalty.

## November

TBC	Winter term elective course enrolment process
30	Payment deadline to avoid service charges on unpaid Winter (January to April) session tuition and non-tuition fees for students registered in the Fall and Winter sessions, except for those who have successfully registered without payment

## December

8	Last Day of Classes
9-21	Final Examination, Studio Review & Capstone period (may include weekends)
TBC	Out of Faculty students able to request enrolment in Daniels Faculty electives using the SGS add/drop form
TBC	First day Daniels Faculty students can overload Winter enrolment.
21	Recommended tuition fee payment deadline for students registering or starting their program in the Winter to ensure payment is received by the registration deadline of January 14, and to avoid cancellation of registration and course enrolment
22-Jan 3	University closed for winter break

## January 2022

3	University Re-opens Outside Daniels Faculty courses may begin
10	All Daniels Faculty graduate courses and seminars begin
12	Fall session grades available for viewing by students on ACORN
16	Final day winter courses waitlist operational
17	Final date to add winter session courses Final date to submit doctoral theses without payment of incidental Winter session fees. Check sgs.utoronto.ca for details Registration deadline for students registering or starting their program in the Winter (January to April) session; after this date, a late registration fee will be assessed. Minimum required payment due (unpaid fees from previous session[s] + 100% of current Winter session tuition fee charges)

- 21 Final date for all students to request that their degrees be conferred in absentia in March. If no special request made in advance of this date, eligible students will be automatically put forward for June Convocation.
- 31 Payment deadline to avoid service charges on unpaid Winter (January to April) session tuition and non-tuition fees for students registered in the Winter session only, except for those who have successfully registered without payment because they are receiving a full funding package via a research stipend, a major award or scholarship, teaching assistantships, tuition waiver, and/or sponsorships. Monthly service charges will begin accruing on February 15.

## February

- 20 Final date to drop full-year and winter session courses without academic penalty
- 21 Family Day (University closed)
- 21-25 Reading Week (no Daniels Faculty classes) Optional course travel may take place (studio / FOR3009H etc.)

## March

## April

- 8 Last Day of Classes
- 11-30 Final Examination and Studio Reviews period (may include Saturdays)
- 14 Final date for submission of final doctoral theses for students whose degrees are to be conferred at June Convocation
- 15 Good Friday (University Closed)
- 18-May 28 FOR1585H/FOR3011H – two week field camps may be scheduled in this time period
- TBC LAN1043H Field Studies II

## May

- 9 Final date to enrol in May-to-June or May-to-August session courses
- 18 Grades for Winter session courses available for viewing by students on ACORN
- 23 Victoria Day, University Closed



# Select UofT Services

## Academic Success Centre

Koffler Student Services Centre - 214 College Street  
Tel: 416-978-7970 / [mail.asc@utoronto.ca](mailto:mail.asc@utoronto.ca)  
<https://studentlife.utoronto.ca/department/academic-success/>

The Centre offers lectures, workshops, and group or individual counselling on topics such as time management, procrastination, and taking lecture notes to help you develop the skills, strategies, and competencies that you need to succeed.

## Accessibility Services

455 Spadina Avenue, Fourth Floor, Suite 400  
Tel: 416-978-8060 / [accessibility.services@utoronto.ca](mailto:accessibility.services@utoronto.ca)  
<https://studentlife.utoronto.ca/department/accessibility-services/>

Accessibility Services supports students through academic accommodations to achieve academic and co-curricular success. They provide confidential services such as test and exam accommodations support in determining and regulating effective accommodations, and expertise in learning strategies and adaptive technology.

## UofT Bookstore

Koffler Student Services Centre - 214 College Street  
Tel: 416-640-7900 / [info@uoftbookstore.com](mailto:info@uoftbookstore.com)  
[www.uoftbookstore.com](http://www.uoftbookstore.com)

The Bookstore is the place to buy supplies such as textbooks, paper, pencils, and, software, as well as University of Toronto clothing such as sweatshirts, t-shirts, and jackets.

## University of Toronto Libraries

<http://onesearch.library.utoronto.ca>  
There are many libraries on campus; this website provides you with information about each library.

## University of Toronto Writing

[www.writing.utoronto.ca/](http://www.writing.utoronto.ca/)  
This website functions as a resource centre for students wishing to improve their writing skills, including information about writing courses, FAQs, books and other resources, and advice

## Safety and Security

The University of Toronto and the Daniels Faculty work to provide a safe and secure environment for all students and we encourage you to be especially conscious of your personal security. We stress the importance of not allowing strangers into residences, of locking doors, of never leaving personal belongings unattended, and of not walking alone in unlit areas.

Access to the Daniels buildings on campus is by FOB key only after regular business hours. For security, do not let anyone into the Daniels buildings who does not have their own FOB key.  
<http://safety.utoronto.ca/>

**UT Alert**  
<http://alert.utoronto.ca/>

The UT Alert system is the most reliable source of information regarding any campus closures related to weather or other safety concerns. To receive text or phone alerts go to [alert.utoronto.ca](http://alert.utoronto.ca) and register using your UTORid and password.

**TravelSafer**  
Tel: (416) 978-SAFE (7233)  
<http://campuspolice.utoronto.ca/travelsafer-2/>

TravelSafer is a free University of Toronto service that provides a reliable, safer alternative to walking alone at night. The program runs seven days a week, 365 days a year, from dusk until dawn. To request accompaniment by patrollers, contact (416) 978-SAFE (7233). Patrollers are friendly individuals who are carefully screened by a hiring committee before being employed. They can be identified by photo badges and distinctive jackets that they wear while on duty.

## Health and Wellness Services

214 College Street, Second Floor, University of Toronto  
Tel: 416-978-8030  
<https://studentlife.utoronto.ca/department/health-wellness/>

Wellness refers to your overall physical, emotional, intellectual, spiritual and social condition, not simply the absence of illness. So when you're not feeling your best, the friendly team at the Health and Wellness Centre offers a wide range of services to support you in achieving your personal and academic best. The Health and Wellness team includes family physicians, registered nurses, counsellors, psychiatrists, a dietitian, and support staff. They provide confidential, student-centred health care, including comprehensive medical care, immunization, sexual health care, counselling and referrals. Services are available to all full- and part-time students who possess a valid TCard and have health insurance coverage.

## Multi-Faith Centre

569 Spadina Ave., University of Toronto Tel: 416-946-3120  
<https://www.studentlife.utoronto.ca/mf>

While the University of Toronto is a secular institution we recognize the important role that faith and worship plays in the lives of many people. Whether you are looking for support around grief, wanting to join a regular meditation group, wanting to explore interfaith dialogue, visit one of the many chaplains available by appointment, or find a group to worship with, the Multi-Faith Centre provides a myriad of support and resources.

## Centre for International Experience

33 St. George Street  
Tel: 416-978-2564 / [cie.information@utoronto.ca](mailto:cie.information@utoronto.ca); [student.exchange@utoronto.ca](mailto:student.exchange@utoronto.ca)  
<http://cie.utoronto.ca/>

The CIE promotes and supports international education and offers services, programs, and facilities for international students, students with international and/or intercultural interests, and students looking for education/work abroad.

## Career Centre

Koffler Student Services Centre - 214 College Street, Main Floor  
Tel: 416-978-8000 / [careercentre@mail.careers.utoronto.ca](mailto:careercentre@mail.careers.utoronto.ca)

<https://studentlife.utoronto.ca/department/career-exploration-education/>

The Career Centre offers employment listings, including work-study postings, volunteer listings, career development workshops and seminars.

## Fitness and Recreation

<http://athletics.utoronto.ca/>  
<http://harthouse.ca/fitness/>

We recognize that academic success can be related to participation in physical activity. Whether you are interested in dropping in for a Pilates class, lifting weights on your own, swimming lengths, or taking a regularly scheduled class, your valid TCard gives you access to fitness facilities on campus including the Hart House gym, the Goldring Centre, and the Athletic Centre.

## Housing Services

Koffler Student Services Centre - 214 College Street, Second Floor, Room 203  
Tel: 416-978-8045 / [housing.services@utoronto.ca](mailto:housing.services@utoronto.ca)

[www.housing.utoronto.ca/](http://www.housing.utoronto.ca/)

Housing Services offers information, resources, and supports to help students meet their housing needs.

## Student Life

[www.studentlife.utoronto.ca/](http://www.studentlife.utoronto.ca/)

## Ulife

[www.ulife.utoronto.ca/](http://www.ulife.utoronto.ca/)

What are you doing after class? This website lists numerous clubs, activities, and community events in which you may wish to get involved.

## University of Toronto Students' Union

<http://utsu.ca/>

All undergraduate and professional faculty students on the St. George campus belong to this student union.

